

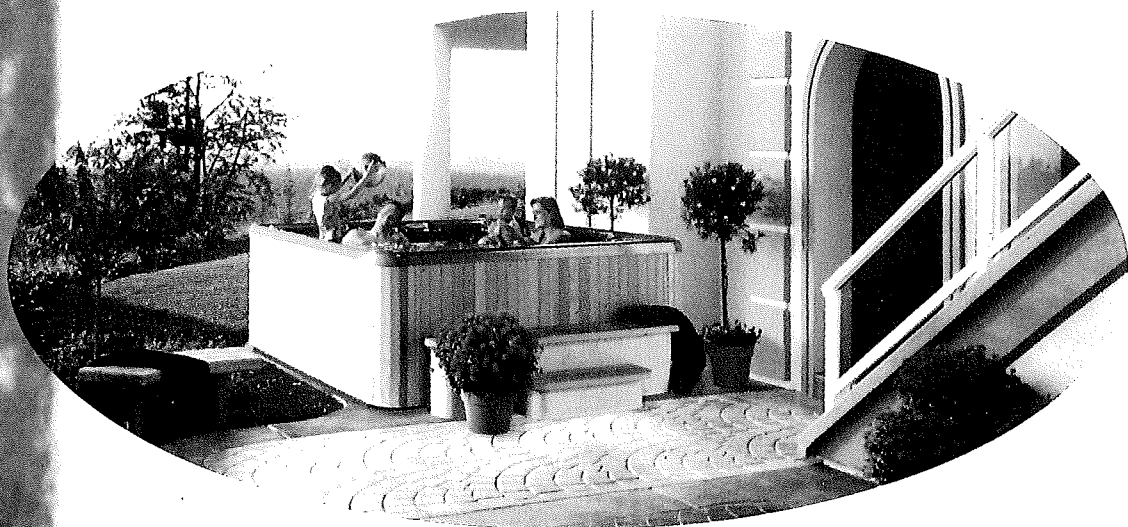
July  
1998



MARQUIS SPAS

# OWNER'S MANUAL

LEISURE SERIES  
RECREATIONAL SERIES  
COASTAL SERIES  
MAXIMUM THERAPY SERIES



Marquis Spas • Relaxing Your World

# WELCOME TO THE SPA LIFE!

---

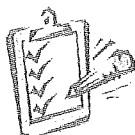
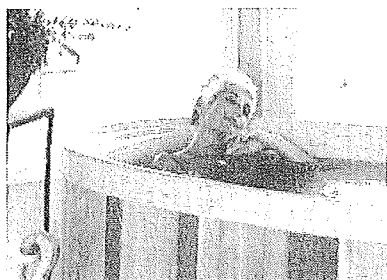
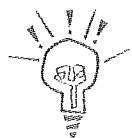
  
MARQUIS SPAS



Please enjoy your new spa, but think "Safety First". Read your Owner's Manual in its entirety before installing your spa and encourage all spa users to do the same. More than just basic common sense, this Owner's Manual provides you with vital safety and operational information.

Every effort has been made to ensure the accuracy of this manual. However, Marquis Spas reserves the right to improve its product without notice. This could create a minor variation between this manual and the actual product you receive. We apologize for any inconvenience this may cause.

# TABLE OF CONTENTS



	PAGE NO.
<b>IMPORTANT SAFETY INSTRUCTIONS</b>	
ELECTRIC SHOCK RISK .....	3
HYPERTHERMIA .....	4
ELECTRICAL GROUNDING AND WIRING .....	6
<b>WATER CHEMISTRY GUIDELINES</b>	
SAFETY, STORAGE & USAGE .....	9-10
<b>SPA INSTALLATION</b>	
LOCATION .....	11
SHUT-OFF VALVE .....	11
FREEZE PROTECTION .....	11
FILTER CARTRIDGE .....	12
SUCTION FITTINGS .....	12
OZONATOR INSTALLATION .....	12
ELECTRICAL REQUIREMENTS .....	13
<b>STARTING YOUR SPA</b>	
SPA SIDE CONTROLS .....	14
OPERATING THE SPA .....	14
ENERGY COVER .....	14
<b>SPA SERIES</b>	
<b>LEISURE SERIES MODELS &amp; EQUIPMENT DIAGRAMS</b>	
HAVEN .....	15
SPIRIT .....	16
CONTROLS .....	17
<b>RECREATIONAL SERIES MODELS &amp; EQUIPMENT DIAGRAMS</b>	
MIRAGE .....	18
RESORT .....	19
RETREAT .....	20
CONTROLS .....	21
<b>COASTAL SERIES MODELS &amp; EQUIPMENT DIAGRAMS</b>	
DESTINY .....	22
QUEST .....	23
REWARD CS .....	24
EUPHORIA CS .....	25
CONTROLS .....	26
<b>MAXIMUM THERAPY SERIES MODELS &amp; EQUIPMENT DIAGRAMS</b>	
REWARD MTS .....	27
EUPHORIA MTS .....	28
CONTROLS .....	29
<b>JETTING SYSTEMS</b>	
CUSTOM THERAPY JETS .....	30
MAXIMUM THERAPY JETS .....	31
<b>REGULAR MAINTENANCE</b>	
EXTERIOR .....	32
DRAINING THE SPA .....	32
CLEANING .....	32
REMOVING THE FILTER .....	32
REFILLING .....	33
LIGHT BULB REPLACEMENT .....	33
WINTERIZING .....	33
<b>MAINTENANCE SCHEDULE</b> .....	35
<b>TROUBLESHOOTING</b> .....	36-37
<b>SERIAL NUMBER LOCATION</b> .....	39

# SAVE THESE IMPORTANT SAFETY INSTRUCTIONS

---

## SPA SAFETY SIGN

We have provided a safety sign to help protect you and your guests. As with all appliances, certain safety precautions should always be followed. All appliances can be hazardous if misused or abused.

Use nails, screws, or wire to install this sign near the spa in such a way that it is visible from within the spa. All spa users should be made aware of these safety precautions.

If you need an additional or replacement sign, please contact your spa retailer and ask for part number 71-0789. Replacement Owner's Manuals are available as well.

When installing and using this electrical equipment, basic safety precautions should always be observed, including the following:

## 1. READ AND FOLLOW ALL INSTRUCTIONS.



2. **DANGER** - Risk of electric shock. Do not permit electric appliances such as a light, telephone, radio, or television within 5 ft. (1.52 M) of this spa.
3. **DANGER** - Risk of Electric Shock. Install at least 5 feet (3m in Canada) from all metal surfaces. As an alternative, a spa may be installed within 5 feet (3m Canada) of metal surfaces if each metal surface is permanently connected by a minimum #8 AWG (#6 AWG Canada) solid copper conductor to the grounding bus connector on the control box provided for this purpose.
4. **WARNING** - To reduce the risk of injury, do not permit children to use this product unless they are closely supervised at all times. **DANGER-RISK OF CHILD DROWNING.** Extreme caution must be exercised to prevent unauthorized access by children. To avoid accidents, ensure that children cannot use a spa unless they are supervised at all times.
5. **DANGER** - To reduce the risk of injury, do not remove suction grates or suction covers. The suction fittings in this spa are sized to match the specific water flow created by the pump. Should the need arise to replace the suction fittings or the pump, be sure that the flow rates are compatible. Never operate spa if the suction fittings are broken or missing. Never replace a suction fitting with one rated less than the flow rate marked on the original suction fitting.
6. This spa is designed and intended for residential use only and should not be used in a commercial or public installation.

7. **WARNING - TO REDUCE THE RISK OF INJURY:** The following spa use rules are most important. Using your spa properly and safely will give you countless hours of enjoyment. But, just as with many products, misuse can be extremely harmful. Protect yourself, your family, and your guests by following the safety rules listed here:

A. The use of alcohol, drugs, or medication before or during spa use may lead to unconsciousness with the possibility of drowning. Do not drink alcoholic beverages before or during spa use. One of the effects of alcohol is slowed reflexes and it can make people drowsy. Hot water also helps induce muscle relaxation. The two together could induce sleep and this, in turn, could possibly lead to drowning. Because of these facts, it is vitally important that you do NOT allow mixing of alcoholic beverages with spa usage.

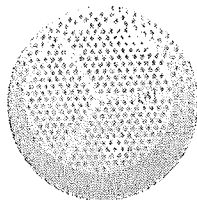
B. Pregnant women and people with problems such as heart disease, diabetes, blood pressure, circulatory problems, or obesity must consult their physicians prior to using the spa. Some medications can induce drowsiness. Never use the spa when taking anticoagulants, antihistamines, vasoconstrictors, vasodilators, stimulants, hypnotics, narcotics, or tranquilizers. In all cases, if you are not thoroughly familiar with the medication you are taking, check with your doctor prior to using the spa.

C. **RISK OF HYPERTHERMIA:** The water in a spa should never exceed 104°F (40°C). Water temperatures between 100°F (38°C) and 104°F are considered safe for a healthy adult. Lower water temperatures are recommended for young children and when spa use exceeds 10 minutes. Spa water temperatures should be maintained in the 98° to 104° range. An accurate underwater thermometer is a "must". Measure the water temperature before entering the spa. 100° water is generally safe and enjoyable for most adults. However, remaining in 100° water for an extended period will raise your body temperature to this level and you may experience some discomfort. As a general rule, when you raise the temperature of the spa water, you should reduce the amount of time you soak.

Twenty minutes is about the limit for 102°. Never soak in water hotter than 104° because temperatures above this level may raise your body temperature to a level that could cause drowsiness, fainting, heat stroke, or hyperthermia. The causes, symptoms, and effects of hyperthermia may be described as follows: Hyperthermia occurs when the internal temperature of the body reaches a level several degrees above the normal body temperature of 98.6°F (37°C). The symptoms of hyperthermia include an increase in the internal temperature of the body, dizziness, lethargy, drowsiness, and fainting. The effects of hyperthermia include: 1. Failure to perceive heat. 2. Failure to recognize the need to exit the spa or hot tub. 3. Unawareness of impending hazard. 4. Fetal damage in pregnant women. 5. Physical inability to exit the spa. 6. Unconsciousness resulting in the danger of drowning. Before entering a spa, the user should measure the water temperature with an accurate thermometer since the tolerance of water temperature-regulating

devices may vary as much as +/-5°F (3°C). It is always important to check your in-spa thermometer before using your spa and to limit your time in the spa as suggested above. Use 98°F to 99°F - normal body temperature for extended soaking.

- D. People with infections, skin sores, or open wounds should not use the spa. Warm or hot water may serve as an incubator for some types of bacteria. It is vitally important to keep your spa properly disinfected with chlorine or other equally effective disinfectants.
- E. It is recommended that people shower before and after using the spa. Showering before removes deodorants, lotions, perspiration, and oils which may clog the filter. Showering after soaking will help remove any non-disinfected bacteria that may have been in the spa.
- F. Soaking in hot water will increase the body's temperature. In small children, the body temperature can increase more quickly than that of a full grown adult. Thus, children must not be allowed to absorb the same amount of heat as an adult. Children's time in the spa should be less than an adult's and children using a spa must be constantly supervised. Children should never be allowed to swim underwater in the spa.
- G. Since excessive water temperatures have a high potential for causing fetal damage during the early months of pregnancy, pregnant or possibly pregnant women should limit spa water temperatures to 100°F (38°C). Soaking for extended periods in water 102° or higher may effect body temperatures to the point that it could effect the fetus. This is especially important during the first 90 days of pregnancy. Spa use at 100° should be limited to no more than 5 minutes. It is strongly suggested that women who are pregnant (or those considering pregnancy in the near future) check with their doctors for recommendations in safe spa use.
- H. Adults should not use the spa without someone nearby who can be called should anything unexpected occur. As an added precaution, you should post emergency numbers near your phone so they are handy should a need arise.
- I. Use only unbreakable containers around the spa.
- J. Always use caution when entering and exiting the spa. Wet surfaces can be slippery. Hand rails and non-skid surfaces are recommended.
- K. Suction through drains and skimmers can be powerful. Any drain or skimmer with a damaged cover can be dangerous, especially to small children or adults with long hair. Should any part of the body become drawn to a drain or skimmer, turn the spa off immediately! Long hair should be restrained in a bathing cap, never allow it to float in the spa. Immediately replace any broken drain cover.



- L. Keep electrical appliances, including telephones, away from the spa to avoid a possible shock hazard. Do not try to adjust or touch the spa equipment, such as a pump or the control box, or any other electrical appliance while you are in the spa.
  - M. Never walk, climb, play or jump on the Energy Cover of your spa. Never swim or play under this cover when it is installed on the spa. Also, do NOT rely on your Energy Cover as a safety cover for children. It is a precautionary measure only and children must be supervised when they are around the spa.
  - N. A fence around your spa with a self-closing and self-latching gate can be the best protection against unauthorized entry and use. If your spa is indoors, lock the door to the room to keep out unauthorized users.
  - O. Do not use a spa in conjunction with strenuous exercise without consulting your physician and obtaining approval.
8. **ELECTRICAL:** Turn off all electric power at the power cord, main circuit breaker, or disconnect panel prior to performing any service to the spa equipment.
9. It is the responsibility of the spa owner to ensure that all electrical connections are made in accordance with any electrical codes in effect at the time of installation. For all permanently connected units in the USA, the electrical supply for this product must include a suitably rated switch or circuit breaker to open all ungrounded supply conductors to comply with Section 422-20 and 680-42 of the National Electrical Code, ANSI/NFPA 70-1987. The means of disconnection must be readily accessible and installed at least 5' (1.52 M) from the spa water.

**NOTE:** Items #10, #11 and #12 apply to USA 120V spas:

10. **DANGER** - Risk of injury. Connect 120V equipment system only to a properly grounded grounding type receptacle. **DO NOT BURY THE POWER CORD.**  
**WARNING:** If electrical cord is damaged replace immediately. Contact your spa retailer.
11. **WARNING:** On 120V spas a power cord is provided with a Ground Fault Circuit Interrupter (GFCI). The GFCI is a safety device which protects users from exposure to electric shock hazard. The GFCI must be tested before each use of your spa as follows: A. With the spa equipment system running, push the TEST button. The RESET button will pop-out and the equipment will stop operating. B. Push the RESET button. The RESET button should return to its original position and the equipment will begin operating.  
**CAUTION:** If the GFCI fails to operate in this manner, disconnect the power cord from the receptacle. Failure to operate in this manner means a ground current is flowing, indicating the possibility of electric shock. **DO NOT** reconnect the power until the source of the ground current has been identified and corrected by qualified service technician. Contact your spa retailer.
12. Do not use an extension cord. The spa must be placed near enough to the power source to prevent the need for an extension cord.

- 13. For USA use, a bonding wire connection is provided on the exterior surface of the control box inside the spa equipment area to permit connection of a bonding wire between this point and any metal equipment, metal water pipe and metal conduit within 5 feet of the spa as needed to comply with article 680-22 of the National Electric Code and local requirements. The bonding wire must be at least #8 AWG (#6 AWG Canada) solid copper wire. This is to reduce risk of electric shock. For Canadian use, a green colored terminal or a terminal marked G, GR, Ground, Grounding, or the international ground symbol is located inside the supply terminal box or compartment. To reduce the risk of electric shock, this terminal must be connected to the grounding means provided in the electric supply service panel with a continuous copper wire equivalent in size to the circuit conductors supplying this equipment. And at least two bonding lugs are provided on the external surface or the inside of the supply terminal box or compartment. To reduce the risk of electric shock, connect the local common bonding grid in the area of the spa to these terminals with an insulated or bare copper conductor not smaller than No. 6 AGW.
- 14. Connections should be made with copper conductors only. All conductors, circuit breakers and/or fuses, must be sized in accordance with the Total Amperage Load as specified on the electrical control box data label.
- 15. All 240V support systems require a three wire plus ground electrical service (line 1, line 2, neutral, ground). All 240V connections can be made by removing the access panel on the front of the electrical control box.
- 16. The spa must be installed to provide proper drainage and to keep water out of the electrical components.
- 17. The spa must be installed in such a manner as to provide access for the servicing of all electrical and plumbing components from above or below any decks or floors.
- 18. NEVER operate the spa support system when the spa is empty. This could result in severe damage to the heater, pump and spa support components and is a potential fire risk.
- 19. Add only one chemical at a time to the spa water. Never mix chemicals or chemical solutions together. Always follow the manufacturer's instructions on dilution and handling precautions. When diluting, add chemical to water - not water to chemical. Avoid skin contact when working with chemicals. ALWAYS STORE CHEMICALS OUT OF THE REACH OF CHILDREN.

20. **SAVE THESE INSTRUCTIONS**

The following information is included for French speaking spa owners.  
**WARNING:** DO NOT PERMIT ELECTRIC APPLIANCES (SUCH AS A LIGHT, TELEPHONE, RADIO, OR TELEVISION) WITHIN 1.52 M OF THIS SPA.  
**AVERTISSEMENT:** NE PAS PLACER D'APPAREIL ÉLECTRIQUE (LUMINAIRE, TÉLÉPHONE, RADIO, TÉLÉVISEUR, ETC.) MOINS DE 1.52 M DE CETTE CUVE DE RELAXATION.



**WARNING:** CHILDREN SHOULD NOT USE SPAS OR HOT TUBS WITHOUT ADULT SUPERVISION.

**AVERTISSEMENT:** NE PAS LAISSER LES ENFANTS UTILISER UNE CUVE DE RELAXATION SANS SURVEILLANCE.

**WARNING:** DO NOT USE SPAS OR HOT TUBS UNLESS ALL SUCTION GUARDS ARE INSTALLED TO PREVENT BODY AND HAIR ENTRAPMENT.

**AVERTISSEMENT:** POUR ÉVITER QUE LES CHEVEUX OU UNE PARTIE DU CORPS PUISSENT ÊTRE ASPIRÉS, NE PAS UTILISER UNE CUVE DE RELAXATION SI LES GRILLES DE PRISE D'ASPIRATION NE SONT PAS TOUTES EN PLACE.

**WARNING:** DO NOT USE DRUGS OR ALCOHOL BEFORE OR DURING THE USE OF A SPA OR HOT TUB TO AVOID UNCONSCIOUSNESS AND POSSIBLE DROWNING.

**AVERTISSEMENT:** POUR ÉVITER L'ÉVANOUISSEMENT ET LA NOYADE ÉVENTUELLE, NE PRENDRE NI DROGUE NI ALCOOL AVANT D'UTILISER UNE CUVE DE RELAXATION NI QUAND ON S'Y TROUVE.

**WARNING:** PEOPLE USING MEDICATIONS AND/OR HAVING AN ADVERSE MEDICAL HISTORY SHOULD CONSULT A PHYSICIAN BEFORE USING A SPA.

**AVERTISSEMENT:** LES PERSONNES QUI PRENNENT DES MÉDICAMENTS OU ONT DES PROBLÈMES DE SANTÉ DEVRAIENT CONSULTER UN MÉDECIN AVANT D'UTILISER UNE CUVE DE RELAXATION.

**WARNING:** THE USE OF ALCOHOL, DRUGS, AND MEDICATION CAN GREATLY INCREASE THE RISK OF FATAL HYPERTHERMIA.

**AVERTISSEMENT:** LA CONSOMMATION D'ALCOOL OU DE DROGUE AUGMENTE CONSIDÉRABLEMENT LES RISQUES D'HYPERTHERMIE MOTRELLÉ DANS UNE CUVE DE RELAXATION.

**WARNING:** BEFORE ENTERING THE SPA OR HOT TUB MEASURE THE WATER TEMPERATURE WITH AN ACCURATE THERMOMETER.

**AVERTISSEMENT:** AVANT D'UTILISER UNE CUVE DE RELAXATION MESURER LA TEMPÉRATURE DE L'EAU À L'AIDE D'UN THERMOMÈTRE PRÉCIS.

**WARNING:** WATER TEMPERATURE IN EXCESS OF 38°C MAY BE INJURIOUS TO YOUR HEALTH.

**AVERTISSEMENT:** IL PEUT ÊTRE DANGEREUX POUR LA SANTÉ DE SE PLONGER DANS DE L'EAU PLUS DE 38°C.

**WARNING:** PROLONGED IMMERSION IN A SPA OR HOT TUB MAY BE INJURIOUS TO YOUR HEALTH.

**AVERTISSEMENT:** L'UTILISATION PROLONGÉE D'UNE CUVE DE RELAXATION PEUT ÊTRE DANGEREUSE POUR LA SANTÉ.

**WARNING:** PEOPLE WITH INFECTIOUS DISEASES SHOULD NOT USE A SPA.

**AVERTISSEMENT:** LES PERSONNES ATTEINTES DE MALADIES INFECTIEUSES NE DEVRAIENT PAS UTILISER UNE CUVE DE RELAXATION.

**WARNING:** PREGNANT OR POSSIBLY PREGNANT WOMEN SHOULD CONSULT A PHYSICIAN BEFORE USING A SPA OR HOT TUB.

**AVERTISSEMENT:** LES FEMMES ENCEINTES, QUE LEUR GROSSESSE SOIT CONFIRMÉE OU NON, DEVRAIENT CONSULTER UN MÉDECIN AVANT D'UTILISER UNE CUVE DE RELAXATION.

**WARNING:** TO AVOID INJURY EXERCISE CARE WHEN ENTERING AND EXITING THE SPA OR HOT TUB.

**AVERTISSEMENT:** POUR ÉVITER DES BLESSURES, USER DE PRUDENCE EN ENTRANT DANS UNE CUVE DE RELAXATION ET EN SORTANT.

**WARNING:** DO NOT USE A SPA OR HOT TUB IMMEDIATELY FOLLOWING STRENUOUS EXERCISE.

**AVERTISSEMENT:** NE PAS UTILISER UNE CUVE DE RELAXATION IMMÉDIATEMENT APRÈS UN EXERCICE FATIGANT.

**CAUTION:** MAINTAIN WATER CHEMISTRY IN ACCORDANCE WITH MANUFACTURER'S INSTRUCTIONS.

**ATTENTION:** LA TENEUR DE L'EAU EN MATIÈRES DISSOUTES DOIT ÊTRE CONFORME AUX DIRECTIVES DU FABRICANT.

# WATER CHEMISTRY GUIDELINES

---



The proper chemical balance of the spa water is essential. There are several methods available to sanitize the water in your spa. We recommend using chlorine or bromine and ozone. No other oxidizing agents are suggested. Use of other oxidizing agents may damage equipment and void the warranty. Consult your spa dealer for the proper chemicals and their recommended usage. **NEGLECT IN MAINTAINING THE CORRECT WATER CHEMISTRY CAN VOID YOUR SPA WARRANTY.**

**CAUTION:** It is essential that you shock sanitize your spa after filling it with water **BEFORE** you begin to use it. Follow the directions on the shock concentrate container. This shock treatment will give an initial sterilization to your water, kill any algae spores that may be present and oxidize undesirable minerals and organic matter in the water. This treatment must be repeated any time the spa is refilled or the water has lost its chemical control due to neglect.

It is recommended that sodium dichlorocyanurate (DyCloro) or lithium hypochlorite be used in spas. Calcium hypochlorite is the type of chlorine used in swimming pools and it is **NOT** recommended for spa usage. Tri-Chloro is also not recommended.

## CHEMICAL LEVELS

The pH level should be kept between 7.2 and 7.6. Failure to maintain this level can result in irritation of the eyes, skin rashes and other discomforts as well as damage to the spa surfaces, plumbing and equipment.

Alkalinity should be maintained between 100-150 (ppm).

Chlorine level should not exceed 3 ppm except during periods of super chlorination. Super chlorination is used only to treat raw water after completely draining the spa and after periods of heavy use.

Since water chemistry and water hardness vary from region to region, you should consult your spa dealer about how to best treat your water. He has a complete line of chemicals to help you get optimum use and enjoyment from your spa.

## CHEMICAL SAFETY

It is important that you read and follow the safety tips for chemical usage and storage listed here. This valuable information is contained on pages 11 and 12 of the "Sensible Way to Enjoy Your Spa or Hot Tub" issued by the National Spa and Pool Institute (NSPI) which has granted us permission to use this information here.

The chemicals needed for your spa help make it clean, disinfected and more attractive to use. But remember that these chemicals are potentially dangerous and may present some hazards if not used properly. Carefully follow the manufacturer's instructions for chemical use and storage. In general, here are some tips for chemical use and storage:

- \* Before using chemicals, read the labels and directions carefully. Follow label instructions.

- \* Keep all chemicals out of the reach of children.

### CHEMICAL STORAGE

- \* Chemicals for test kits should be replaced each year.
- \* Keep the original lids on all chemical containers and make sure the lids are closed tightly when not in use.
- \* Do not stack different chemicals on top of one another.
- \* Store your spa chemicals in a clean, cool, dry and well-ventilated area, preferably off the floor, to prevent contamination from other materials. Keep them away from chemicals and equipment used in garden and lawn maintenance.
- \* Keep liquid chemicals away from dry chemicals. Keep separated those chemicals which are different forms of oxidizing compounds. Physically separate all different forms of chemicals.
- \* Do not store your spa chemicals where flammable items may mix with them. The mixing of some chemicals and fertilizers can cause a fire explosion.

### CHEMICAL USAGE

- \* Never mix two chemicals together. Use a clean scoop for each chemical and avoid combining material from "old" and "new" containers.
- \* Test the water in your spa with a reliable test kit on a schedule recommended by your spa dealer. Add the necessary chemicals according to the test results and the manufacturer's instructions. The hot water environment of a spa allows disinfectants to rapidly break up and spread out. This requires more frequent water testing. Follow your manufacturer's instructions in this regard. The more people who use the spa, the more frequently you should test the water.
- \* Do not inhale dust or fumes from any chemicals. If necessary, use proper devices for breathing, handling and eye protection. Promptly wash off any chemicals which get on the skin.
- \* Never reuse old containers unless specified by the maker.
- \* If you have any questions regarding safe handling, storage or use of spa chemicals, contact the manufacturer of the chemicals.
- \* Always add the chemical directly to the spa by; using a suitable feeder, distributing it across the surface of the water, or diluting and pouring it into the water. Follow label use instructions.
- \* When preparing water solutions for feeder application, pour the chemical slowly into the appropriate amount of water, stirring constantly to provide mixing and dilution.
- \* Always add chemicals to water. Never add water to chemicals.
- \* Never add chemicals to the spa water while people are using the spa.
- \* Carefully clean up any spilled chemicals with large amounts of water, to dilute and wash away the chemicals. Disinfectants and pH adjustment chemicals can usually be sent to the sewer with large quantities of water, since they are intended for use at low levels.
- \* Wash out empty disinfectant containers before disposing to eliminate danger of fire, explosion and poisoning.

# SPA INSTALLATION

---

## LOCATION

For your portable spa to function properly and safely, it must be located on a hard, flat, level surface. In-ground spas require special installation techniques and should be planned in conjunction with your spa dealer. Improper installation can result in structural damage to the spa and the voiding of your spa warranty. Items to discuss with your dealer include: local construction codes, electrical service requirements, serviceability of equipment, present underground obstructions such as gas, water and telephone lines, safety measures such as fences, locks and visibility of the spa installation from the home, street and neighbors.

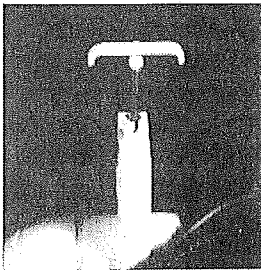
You must allow for sufficient water drainage around the spa to help preserve the equipment and support structure.

Your spa **MUST** be installed to permit access for servicing the equipment above and/or below any decks or floors. Access is essential and must allow adequate room for service personnel.

Be sure the spa is in the final position **BEFORE** filling with water. Check for power cords, tools and hoses which may be caught underneath the spa.

**CAUTION:** Never try to move a spa that has not been fully drained. To do so could result in damage to the spa and physical injury to the mover.

**IMPORTANT:** DO NOT LET AN EMPTY SPA BE EXPOSED TO DIRECT SUNLIGHT FOR MORE THAN A FEW MINUTES. Spa surface temperatures can reach in excess of 150°F (65°C) if left exposed to the sun. Significant damage can occur if this is allowed to happen, including warping and blistering of the surface. Damage which may occur as a result of this exposure is not covered under the warranty; all warranties have excluded this type of damage.



## SHUT-OFF VALVES

➤ Your spa is equipped with shut-off valves (see equipment diagram on spa model page) that shut off the water flow to the equipment system for dealer service. At times, a new spa or one that has recently been serviced, may have the shut-off valves partially closed which can restrict the water flow and hinder jet performance. Be sure the valves are fully open.

## FREEZE PROTECTION

When a freeze condition is detected (which occurs when the temperature in the heater housing drops to 40 degrees F) the jet pump(s) is automatically activated.

In areas with extreme cold winter conditions, your spa should be fine as long as it is left running at normal operating temperatures. If you plan to turn the spa off, you must follow the instruction in this manual for winterizing your spa.

## OVERHEATING

In the case of extended hot weather, the spa water temperature may reach and maintain 104 degrees F to 106 degrees F. This is due to the ambient temperature and the full insulation in the spa cabinet. The simplest solution to this heat build-up is, lifting the spa cover a few inches for several hours to allow the heat to escape. You may also have the option of shortening the pump-run time. See Control panel section for available options.

**FILTER CARTRIDGE**

Your portable spa is equipped with the Marquis spa filtration system.

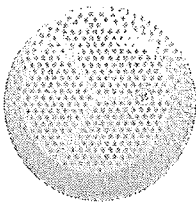
**Haven, Spirit, Quest & Mirage Smart Clean Systems:** Features Hi-Flo Vortex Filter which includes Hi-Flo Vortex skimmer, debris catch basket, and filament filter cartridge.

**Spirit Constant Clean System:** Features the Vortex Filter which includes Vortex skimmer, debris catch basket, tall plastic prefilter, black basket, and filament filter cartridge.

**Retreat, Resort, Reward CS, Destiny CS and Euphoria CS:** Features Hi-Flo Vortex Filter which includes Hi-Flo Vortex skimmer, debris catch basket, and filament filter cartridge. Also features an Auxiliary Filter which includes auxiliary cover, catch basket, and filament filter cartridge.

**Reward MTS and Euphoria MTS:** Features the Vortex Filter which includes Vortex skimmer, debris catch basket, tall plastic prefilter, black basket, and filament filter cartridge. Also features an Auxiliary Filter which includes auxiliary cover, catch basket, and filament filter cartridge.

**NOTE:** It is very important that the components of these filtration systems be installed properly in the proper part of the spa (see Jetting diagram and Removing the Filter for complete instructions).

**SUCTION FITTINGS**

- There are suction fittings in the footwell of your spa. These are openings through which the jet-pumps draw water. They have been equipped with safety covers. Suction through the fittings can be strong. The safety covers must remain in place and undamaged. A fitting with a damaged cover can be dangerous, especially to small children or people with long hair. Should any part of the body become drawn to a fitting, turn the jet-pump off immediately. Long hair should be restrained in a bathing cap, never allow it to float freely in the spa. Replace any missing or damaged suction covering.

**OZONATOR INSTALLATION**

If your spa was not originally equipped with an ozone generator and you would like to install one, refer to the following instructions and those supplied with the ozonator. **NOTE:** The only ozonator U.L. listed for your spa is the Marquis Spa Ozone Generator, available at your Marquis retailer, part #35-0957.

1. Turn off the power to the spa.
2. Open the equipment area door.
3. Plug the ozonator into the ozone receptacle on the spa control box.
4. Cut a 5" piece of the supplied 1/4" tubing and using silicone sealant, push one end onto the 1/4" barbed fitting on the ozonator.
5. Into the other end of this tube, insert the supplied checkvalve, being sure the direction of flow is away from the ozonator, not toward it.
6. Cut a long piece of tubing and push it onto the exposed end of the checkvalve.
7. Remove the black plastic plug from the small white tubing suspended above the equipment (some water may drip from this fitting, have a towel handy). Replace this plug with the supplied 1/4" barbed fitting, using Teflon tape on the threads to make the proper seal.

8. Place the exposed tubing end on the 1/4" barb.
9. Properly ground the ozonator.
10. Depending on the particular spa model, the ozonator will fit either to the right or to the left of the equipment. There is a labeled mounting block attached to the spa for this purpose.
11. Turn on the power to the spa. After 10 minutes, you will see the ozonator's blue light turn on and bubbles coming out of the single ozone jet in the spa.
12. Close the equipment door.

### ELECTRICAL REQUIREMENTS

It is the responsibility of the spa owner to ensure that all electrical connections are made in accordance with all electric codes in effect at the time of installation.

#### 240 Volt:

- All connections must be made in accordance with the wiring diagram found on the inside of the control box cover. Connections should be made with copper conductors only. All conductors, circuit breakers, and/or fuses must be sized in accordance to the Total Amperage Load as specified below:

- \* Permanently connected
- \* Rated 240V, 60Hz, 40A, 3 wire plus ground
- \* Minimum Supply Conductor Ampacity: 50 Amp based on 60°C ambient
- \* Fuse or Circuit Breaker Size: 50 Amp



This equipment is designed to operate on 60Hz Alternating Current only at a voltage of 240.

A pressure wire connector is located on the exterior of the control box. If the installation includes a common bonding grid (reinforced concrete slab, ground plate beneath the spa, or any metal water pipe connection), then this pressure wire connector should be bonded with at least #8 AWG (#6 in Canada) copper wire to any metal ladder, water pipe, or other metal within 5 feet of the spa.

Units to be operated at 240V must have all connections made by a qualified electrician in accordance with any electric codes in effect at the time of installation. All 240V units require a three wire plus ground (line 1, line 2, neutral, ground). Refer to label below the terminal block.

#### 120 Volt:

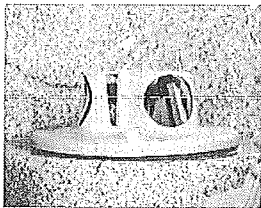
120V units must only be connected to a properly grounded, grounding type 15 amp. receptacle. 120V equipment is designed to operate on 60Hz. Alternating current only at a voltage of 120, 12.5 amp. maximum load.

# STARTING THE SPA

## SPA SIDE CONTROLS

Your spa is equipped with solid state preprogrammed Comfort Controls specific to your spa model. Please see the CONTROLS section listed under your particular Spa Series model.

You will need a spa chemical test kit and an underwater thermometer. It is important to follow each of these steps when starting your spa.



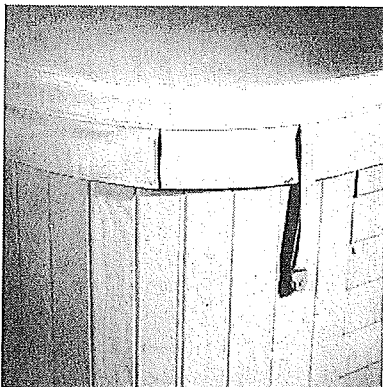
1. Place spa on a hard, flat, level surface. Make sure the power supply is off.
2. Make sure that the suction fittings in the footwell are in place and undamaged.
3. Open the equipment door. Close the drain valve and screw the drain valve cap on tightly. Tighten all disconnects and open all shut-off valves.
- 4. Fill the spa with water to half-way-up the Vortex or Hi-Flow Vortex (if so equipped) skimmer's openings.
5. Turn the power on...wait five seconds.
6. Set the water temperature to the desired level.
7. Test the spa side controls.
8. SHOCK SANITIZE the water and test the water chemistry following the instructions in your chemical test kit.
9. Place the cover on the spa and wait 12 to 24 hours for the water to heat.
10. Test the water temperature and adjust the thermostat if necessary. Normal use is between 98° and 102° F.

## OPERATING THE SPA

Allow the spa to circulate on high-speed (see instructions for spa side controls) for 4-5 minutes to discharge air from the plumbing system. Do not expect hot water immediately from the jets; the heater will take several hours to heat the water.

**NOTE:** Your spa has been filled and test run at the factory. The first time your spa is filled with water, some discoloration from residual test water may appear. This will disappear when the spa is completely filled and the filtration system is functioning.

Test the water for the proper chemical balance and adjust as necessary. PROPER BALANCE IS IMPORTANT.

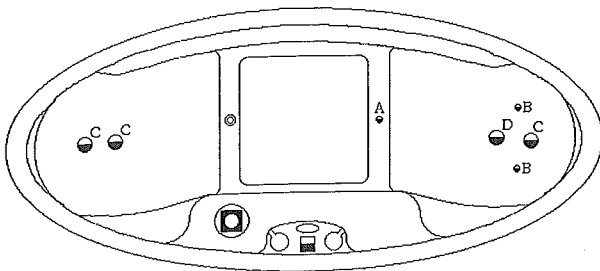
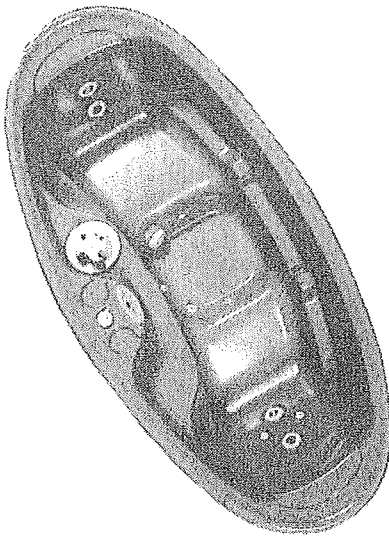


## ENERGY COVER

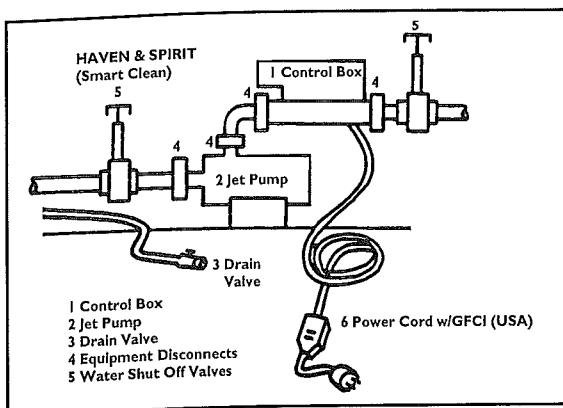
- When the spa is not in use, the energy cover should be kept on the spa to retain the water's heat and to keep out dirt, leaves, etc. Your heater thermostat will maintain a constant water temperature between spa uses.

# LEISURE SERIES

# THE HAVEN & HAVEN HEAT RECOVERY



- ⊖ Hi-Flo Vortex Filter
- ⊖ Operator Panel
- ⊖ Jet Zone
- ⊖ Air Control
- ⊖ Ozone Jet
- A Micro Boost Jet
- B Micro Swirl Jet
- C Power Boost Jet
- D Power Swirl Jet



### Model Description:

The **Haven** has two facing Therapy seats with armrests. Back, shoulder and footwell jets provide a soothing, personal massage. The Haven is available with a heater or as a Haven HR (Heat Recovery system).

### Physical specifications:

Dimensions: 45" x 92" x 30.5"H  
 Seating: 2 Positions  
 Weight Dry: 300 lbs.  
 Weight Wet: 1,300 lbs.  
 Water capacity: 120 gallons

### Jetting configuration:

Jet description	Qty
Power Boost	3
Power Swirl	1
Micro Boost	1
Micro Swirl	2
<b>Total therapy jets</b>	<b>7</b>

**Electrical Hook-up:** 120V / 15 Amp Cord connected w/GFCI

### Hydraulic Specifications:

Operating Component:  
 Primary zone: Hi Spd: 60 GPM at 14.0 PSI  
 Primary zone: Low Spd: 30 GPM at 5.5 PSI (not Haven HR)  
 Power Jets: 10.5 GPM at 14.0 PSI  
 Micro Jets: 6.5 GPM at 14.0 PSI

### Equipment Configuration:

Custom Therapy System  
 \* Primary jet pump: 11.9 amps at 120V, 2 speed  
 Haven HR: 1 speed  
 \* Primary filter size: 50 sq. ft.

### Smart Clean Filtration System

\* Filtration pump: 11.9 amps at 120V, 2 speed  
 Haven HR, 1 speed  
 \* Heater: High flow 1kw, stainless housing  
 No Heater on Haven Heat Recovery System

### Filtration System Turnover Rate:

Primary Filter: 120 times daily  
**Total Turnover: 120 times daily**  
 Not available for Haven HR

### Solid State Controls

\* System: 120V solid state control  
 \* Bather Panel: Temperature readout (Not Haven HR)  
 \* Ozonator (optional): Ozone ready

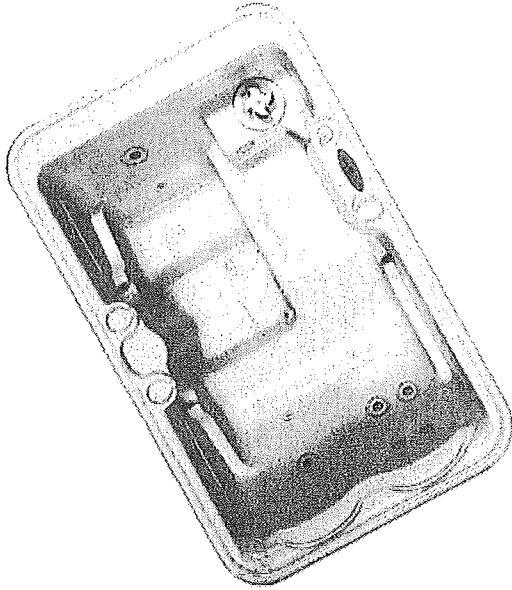
### Insulation

\* Insulation: 1/2 lb. foam fill, 'R' value of 36  
 with Polysheet bottom seal



# LEISURE SERIES

# THE SPIRIT



### Model Description:

The **Spirit** features a Body Form Lounge and two facing bucket seats with armrests. Strategically positioned jets provide hydrotherapy comparable to larger spas.

### Physical Specifications:

Dimensions: 54" x 84" x 30.5" H  
 Seating: 3 Positions  
 Weight Dry: 430 Lbs.  
 Weight Wet: 1,681 Lbs.  
 Water capacity: 150 Gallons

### Custom Therapy System:

Jet Description	Qty
Power Boost Jets	3
Power Swirl Jets	2
Micro Boost Jets	2
Micro Swirl Jets	2
<b>Total Therapy jets</b>	<b>9</b>

**Electrical Hook-up:** 120V / 15 Amp Cord connected w/GFCI

### Hydraulic Specifications:

#### Operating Component:

Primary zone HI SPD: 75 GPM at 14 PSI  
 Primary zone LO SPD: 38 GPM at 5.5 PSI  
 Power Jets: 10.5 GPM at 14.0 PSI  
 Micro Jets: 6.5 GPM at 14.0 PSI

### Equipment Configuration:

#### Custom Therapy System

- \* Primary jet pump: 11.9 amps at 120V, 2 speed
- \* Primary filter size: 50 sq. ft.
- \* Heater: HI flow (Smart Clean), LOW flow (Constant Clean) 1kw, stainless steel housing

### Filtration System Turnover Rate: Smart Clean

- \* Primary filter: 122 times daily
- Total turnover rate: 122 times daily**

### Filtration System Turnover Rate: Constant Clean

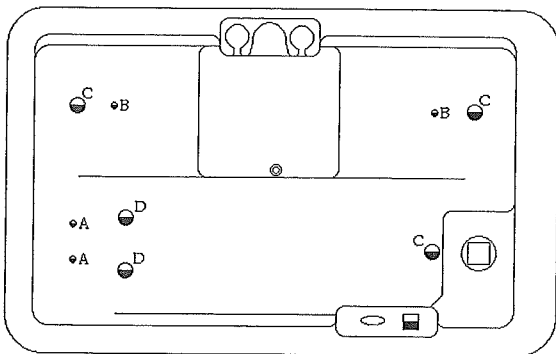
- \* Primary filter: 31 times daily
- Total turnover rate: 31 times daily**

### Solid State Controls

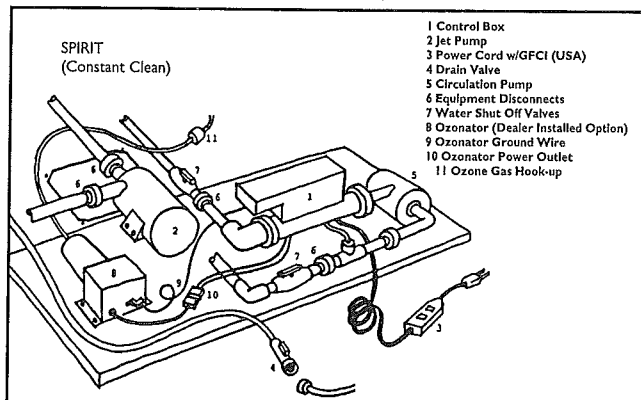
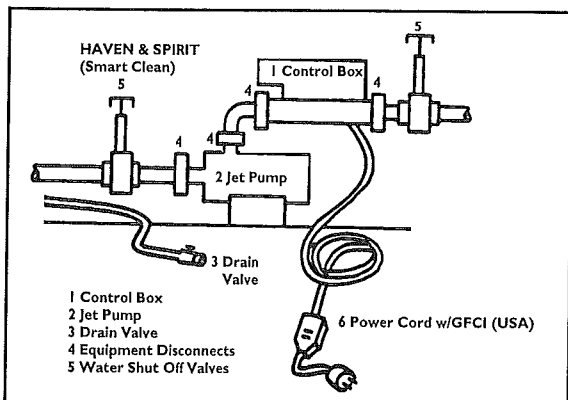
System: 120V Solid State  
 Bather Panel: Temperature readout  
 Ozonator (optional): Ozone ready

### Insulation

- \* Insulation: 1/2 lb. foam fill, 'R' value of 36 with Polysheet bottom seal

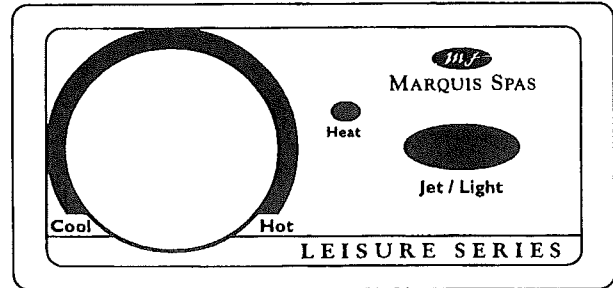


- ⊠ Hi-Flo Vortex /Vortex Filter(Constant Clean)
- ⊡ Operator Panel
- ⊙ Jet Zone
- ⊞ Air Control
- ⊙ Ozone Jet
- A Micro Boost Jet
- B Micro Swirl Jet
- C Power Boost Jet
- D Power Swirl Jet



# LEISURE SERIES

# CONTROLS



## Haven & Spirit Spa Models

### UNDERWATER LIGHT

The light button marked On/Off turns the light on and off. The low-voltage system produces a night light for evening use and makes entering and exiting the spa safer. After being on for one hour, the lights will automatically turn off.

### LOW/HIGH THERAPY

Pushing this pad turns the jet pump on to low-speed. Pushing the pad again turns the pump to high-speed. Pushing the pad again turns the pump off. After running on low-speed for fifteen minutes the pump will automatically turn off. After running on high-speed for ten minutes the pump will automatically switch to low-speed for five minutes and will then turn off.

### SMART CLEAN FILTRATION SYSTEM

#### JET PUMP CLEANUP CYCLE

Your spa will automatically filter itself using the jet pump on low speed for three hours twice each day. The first filter cycle will begin ten minutes after the spa is energized. The second filter cycle will begin twelve hours after the first cycle.

#### SMART CLEAN CIRCULATION

This feature ensures that the spa water will be properly filtered after each spa use. Thirty minutes after the spa light or jet pump has been deactivated, the low speed pump will filter the water for four hours.

#### HEAT DEMAND OPERATION

In addition to those situations mentioned above, the pump will circulate on LOW speed whenever the thermostat calls for heat.

### CONSTANT CLEAN FILTRATION (Spirit Option)

The small circulation pump in your spa is designed to run 24 hours a day to circulate, filter, and heat the water. The water heater, attached to the circulation pump, will cycle on and off according to the temperature called for by the control panel thermostat.

#### JET PUMP CLEANUP CYCLE (Constant Clean)

The jet pump will turn on to LOW speed for fifteen minutes twice a day, at 12 hour intervals, to circulate the water in the plumbing lines. The first fifteen-minute period begins ten minutes after the spa is energized.

#### HEATER THERMOSTAT (Constant Clean)

The LCD window displays the actual water temperature. Pushing the TEMP button will make the numbers flash, then pushing the button again (repeatedly) will increase the set temperature one degree at a time, up to 104 degrees F. After a short pause, the actual temperature will again be displayed. Repeating the above procedure will allow you to decrease the set temperature.

## Haven Heat Recovery Model

### JET/LIGHT BUTTON

Pushing this button once turns the jet pump on, pushing the button again turns the spa light on, pushing again turns the light off, and pushing again turns the jet pump off. Both the pump and light will automatically turn off after 15 minutes of operation.

### HEAT DEMAND OPERATION

The jet pump will run whenever the thermostat calls for heat (and the Heat light will illuminate).

### THERMOSTAT

The spa water temperature is controlled by the thermostat knob. The length of time it takes the water to reach a desired temperature depends on several factors, including: raw water temperature, ambient air temperature, relative humidity, and the insulative qualities of the spa cover.

### HEAT LIGHT

The HEAT light will illuminate when the heater is on.

### LCD DISPLAY MESSAGES

The advanced technology built into the spa allows it to perform a number of self-diagnostic system checks and it can display a variety of messages on the LCD panel. Below are some of the messages you may see on the panel.

**OH:** Overheat protection: If a malfunction occurs and the spa water reaches 112 degrees F (44 degrees C), the system will completely shut down. In such a condition **DO NOT ENTER THE WATER.**

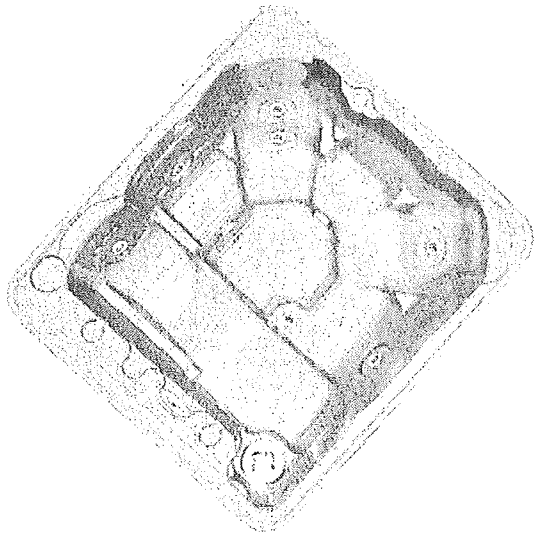
Turn off all power to the spa. Several conditions could lead to overheating, e.g., low water level, shut-off valves closed while heater is on, dirty filter, and restriction in the plumbing lines. The spa will not restart itself until the water temperature within the spa drops to a lower, predetermined temperature. As a double safety feature, a secondary high-limit sensor will shut the system off if the water temperature in the heater housing reaches 118 degrees F. In this case the spa may be restarted by pushing any panel pad, after the water has cooled to 110 degrees F. If the switch trips repeatedly, do not use the spa. Contact your retailer for service.

**FL:** Flashing: 1. The filter may be plugged. 2. The spa water level may be too low. 3. A shut-off valve may be closed. 4. A pressure or flow switch may have malfunctioned. Contact service person.

**SN:** If either the heater high-limit sensor or the water temperature sensor malfunctions, the spa will turn off. Contact your service person.

# RECREATIONAL SERIES

# THE MIRAGE



### Model Description:

The **Mirage** features two deep bucket seats and a Full Body Form Lounge. Cascade Neck jets provide a relaxing shoulder massage.

### Physical Specifications:

Dimensions:	83" X 75" X 33" H
Seating:	7 Positions
Weight Dry:	540 lbs.
Weight Wet:	2,375 lbs.
Water capacity:	220 gallons.

### Jetting Configuration:

<u>Jet description</u>	<u>Qty</u>
Micro Boost	1
Micro Swirl	2
Power Boost	5
Power Swirl	2
Cascade Neck Jets	4
<b>Total Therapy jets</b>	<b>14</b>

### Hydraulic Specifications:

<u>Operating Component:</u>	
Primary pump zone HI SPD:	105 GPM at 13 PSI
Primary pump zone LOW SPD:	54 GPM at 5.5 PSI
Micro Jets:	7 GPM at 13 PSI
Power Jets:	10.5 GPM at 13 PSI
Cascade Neck Jets:	8.0 GPM at 12 PSI

### Equipment Configuration:

#### Custom Therapy System

- \* Primary jet pump: 6.9 amps at 240V, 2 speed
- \* Primary filter size: 50 sq. ft.

#### Smart Clean Filtration System

- \* Filtration pump: 6.9 amps at 240V, 2 speed
- \* Heater: HI flow 4.3kw, stainless housing.

#### Filtration System Turnover Rate:

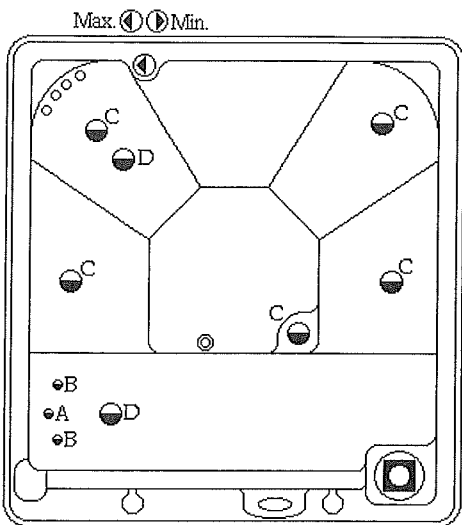
Primary filter:	118 times daily
<b>Total Turnover Rate:</b>	<b>118 times daily</b>

#### Solid State Controls

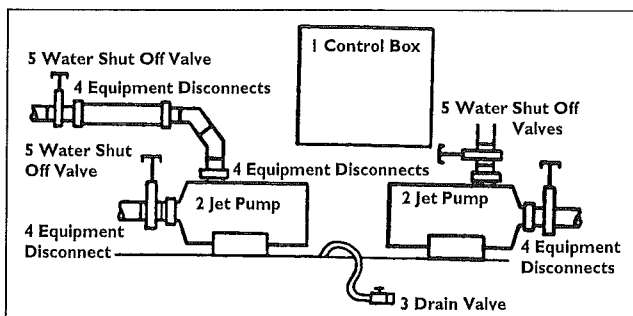
- \* System: 240V solid state
- \* Bather Panel: Temperature readout
- \* Ozonator (optional): Ozone ready

#### Insulation

- \* Insulation: (Classic) 1/2 lb. foam fill, 'R' value of 36 with Polysheet bottom seal
- \* Insulation: (Promo) 1/2 lb. foam over, with Polysheet bottom seal

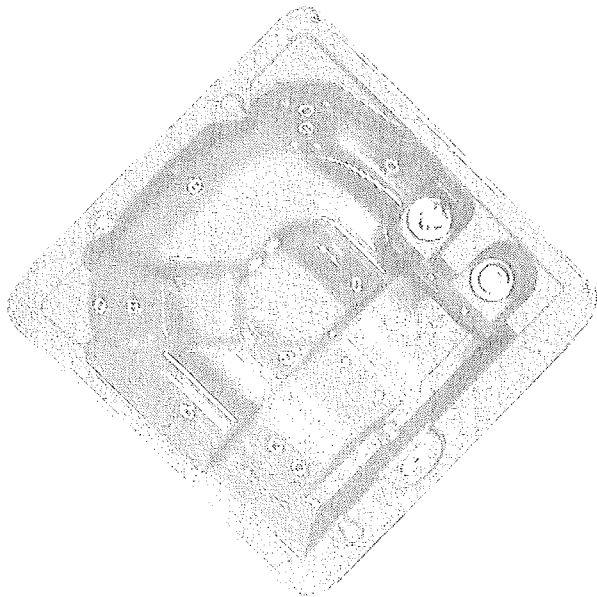


- Hi-Flo Vortex Filter
- Operator Panel
- Jet Zone
- Ozone Jet
- Neck Jet Selector Valve
- Cascade Neck Jet
- A Micro Boost Jet
- B Micro Swirl Jet
- C Power Boost Jet
- D Power Swirl Jet



# RECREATIONAL SERIES

# THE RESORT



### Model Description:

The **Resort** features a Full Body Lounge, a very deep bucket seat, and barrier-free bench seating. Cascade Neck jets provide a soothing massage.

### Physical Specifications:

Dimensions: 84.5" x 84.5" x 36.5" H  
 Seating: 6 Positions  
 Weight Dry: 680 lbs.  
 Weight Wet: 3,557 lbs.  
 Water capacity: 345 gallons.

### Jetting Configuration:

Jet description	Qty
Micro Boost	7
Micro Swirl	6
Power Boost	9
Power Swirl	2
Cascade Neck Jets	4
<b>Total Therapy jets</b>	<b>28</b>

### Hydraulic Specifications:

Operating component:  
 Primary pump zone HI SPD: 110 GPM at 14 PSI  
 Primary pump zone LOW SPD: 55 GPM at 5.5 PSI  
 Auxiliary pump zone HI SPD: 110 GPM at 14 PSI  
 Micro Jets: 7.5 GPM at 14 PSI  
 Power Jets: 11.5 GPM at 14 PSI  
 Cascade Neck Jets: 8.0 GPM at 12 PSI

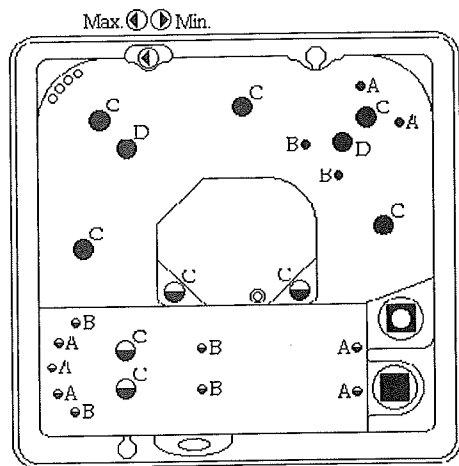
### Equipment Configuration:

#### Custom Therapy System

- \* Primary jet pump: 6.9 amps at 240V, 2 speed
- \* Auxiliary jet pump: 7.2 amps at 240V, 1 speed
- \* Primary filter size: 50 sq. ft.
- \* Auxiliary filter size: 50 sq. ft.

#### Smart Clean Filtration System

- \* Filtration pump: 6.9 amps at 240V, 2 speed
- \* Heater: HI flow 4.3kw, stainless housing.



- ⊙ Hi-Flo Vortex Filter
- ⊙ Auxiliary Filter
- ⊙ Operator Panel
- ⊙ Jet Zone
- ⊙ Ozone Jet
- ⊙ Neck Jet Selector Valve
- Cascade Neck Jet
- Micro Boost Jet
- A Micro Swirl Jet
- B Micro Swirl Jet
- C Power Boost Jet
- D Power Swirl Jet

### Filtration System Turnover Rate:

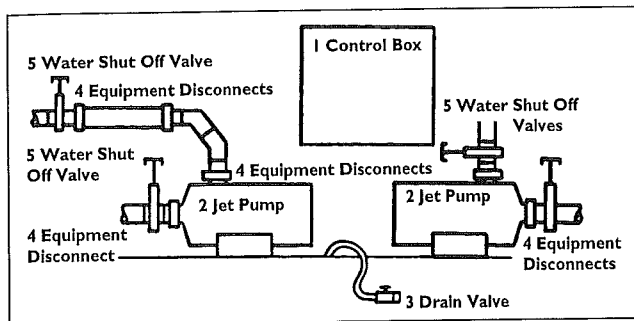
Primary Filter: 39 times daily  
 Auxiliary Filter: 39 times daily  
**Total Turnover Rate: 78 times daily**

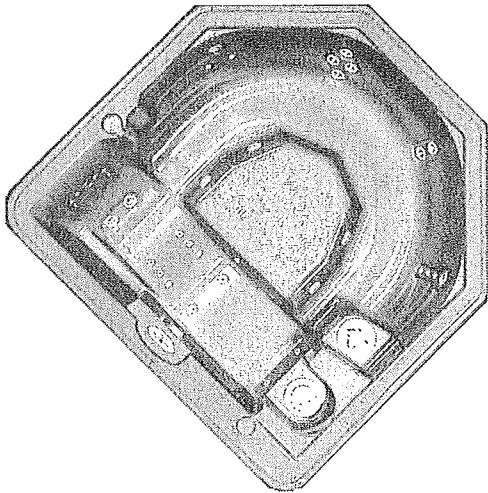
### Solid State Controls

- \* System: 240V solid state
- \* Bather Panel: Temperature readout
- \* Ozonator (optional): Ozone ready

### Insulation

- \* Insulation: (Classic) 1/2 lb. foam fill, 'R' value of 36 with Polysheet bottom seal
- \* Insulation: (Promo) 1/2 lb. foam over, with Polysheet bottom seal





### Model Description:

The **Retreat** features a Full Body Lounge with contoured spiral seating. The extra large footwell allows comfortable seating for seven people.

### Physical Specifications:

Dimensions:	92.5" x 92.5" x 36.5" H
Seating:	7 Positions
Weight Dry:	750 lbs.
Weight Wet:	4,920 lbs.
Water capacity:	500 gallons

### Jetting Configuration:

Jet description	Qty
Micro Boost	10
Micro Swirl	10
Power Boost	8
Power Swirl	2
<b>Total Therapy jets</b>	<b>30</b>

### Hydraulic Specifications:

#### Operating Component:

Primary pump zone HI SPD:	120 GPM at 15 PSI
Primary pump zone LO SPD:	60 GPM at 7 PSI
Auxiliary zone HI SPD:	125 GPM at 15 PSI

### Equipment Configuration:

#### Custom Therapy System

- \* Primary jet pump: 6.9 amps at 240V, 2 speed
- \* Auxiliary jet pump: 7.2 amps at 240V, 1 speed
- \* Primary filter size: 50 sq. ft.
- \* Auxiliary filter size: 50 sq. ft.
- \* Heater: HI flow, 4.3kw, stainless steel housing

### Filtration System Turnover Rate:

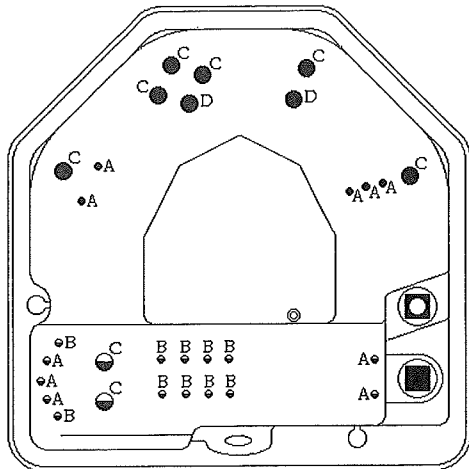
Primary Filter:	29 times daily
Auxiliary Filter:	29 times daily
<b>Total Turnover Rate:</b>	<b>58 times daily</b>

### Solid State Controls

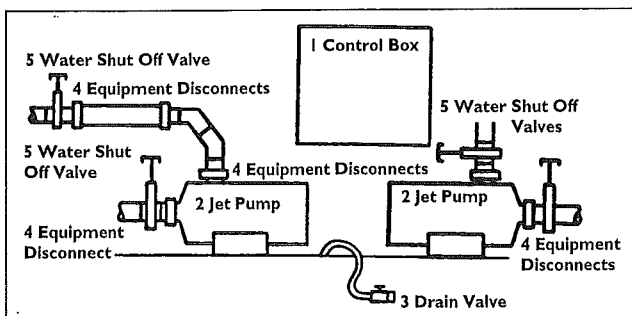
- \* System: 240V solid state
- \* Bather Panel: Temperature display
- \* Ozonator (optional): Ozone ready

### Insulation

- \* Insulation: (Classic) 1/2 lb. foam fill, 'R' value of 36 with Polysheet bottom seal
- \* Insulation: (Promo) 1/2 lb. foam over, with Polysheet bottom seal



- ① Hi-Flo Vortex Filter
- ② Auxiliary Filter
- ③ Operator Panel
- ④ Jet Zone
- ⊙ Ozone Jet
- Micro Boost Jet
- A Micro Swirl Jet
- B Power Boost Jet
- C Power Swirl Jet
- D





## Mirage, Resort & Retreat Spa Models

### UNDERWATER LIGHT

The light button marked On/Off turns the light on and off. The low-voltage system produces a night light for evening use and makes entering and exiting the spa safer. After being on for one hour, the lights will automatically turn off.

### LOW/HIGH THERAPY

Pushing these pads turns the respective jet pump on to low-speed. Pushing the pad again turns the pump to high-speed. Pushing the pad again turns the pump off. After running on low-speed for fifteen minutes the pump will automatically turn off. After running on high-speed for ten minutes the pump will automatically switch to low-speed for five minutes and will then turn off.

### ON/OFF THERAPY (RETREAT & RESORT)

Pushing this pad turns the one speed auxiliary jet pump on and off. After running on HI speed for 15 minutes the pump will automatically turn off.

### JET PUMP CLEANUP CYCLE

Your spa will automatically filter itself using the primary jet pump on low speed for three hours twice each day. (If you wish, it is possible to change this filter time to 1, 3, 6, or 9 hours. To do so, press the TEMP/FILTER button then the LOW/HIGH THERAPY button. Then to change the run time, press the TEMP/FILTER button then the LOW/HIGH THERAPY button to exit. See LCD DISPLAY MESSAGES for clarification.) The first filter cycle will begin ten minutes after the spa is energized. The second filter cycle will begin twelve hours after the first cycle. The secondary jet pump (Resort & Retreat) will also turn on to HI speed for fifteen minutes twice a day to circulate the water in the plumbing lines.

### SMART CLEAN CIRCULATION

This feature ensures that the spa water will be properly filtered after each spa use. Thirty minutes after the spa light or jet pump has been deactivated, the low speed pump will filter the water for four hours.

### HEAT DEMAND OPERATION

In addition to those situations mentioned above, the pump will circulate on LOW speed whenever the thermostat calls for heat.

### HEATER THERMOSTAT

The LCD window displays the actual water temperature. Pushing the TEMP/FILTER button will make the numbers flash, then pushing the button again (repeatedly) will increase the set temperature one degree at a time, up to 104 degrees F. After a

short pause, the actual temperature will again be displayed. Repeating the above procedure will allow you to decrease the set temperature.

### HEAT LIGHT

The HEAT light will illuminate when the heater is on.

### LCD DISPLAY MESSAGES

The advanced technology built into the spa allows it to perform a number of self-diagnostic system checks and can display a variety of messages on the LCD panel as listed below.

When you scroll through the menu for filtration setting times you may see the following messages:

- F1:** 1-hour filtration, 2 times daily
- F3:** 3-hour filtration, 2 times daily
- F6:** 6-hour filtration, 2 times daily
- F9:** 9-hour filtration, 2 times daily

**OH:** Overheat protection: If a malfunction occurs and the spa water reaches 112 degrees F (44 degrees C), the system will completely shut down. In such a condition **DO NOT ENTER THE WATER.**

Turn off all power to the spa. Several conditions could lead to overheating, e.g., low water level, shut-off valves closed while heater is on, dirty filter, and restriction in the plumbing lines. The spa will not restart itself until the water temperature within the spa drops to a lower, predetermined temperature. As a double safety feature, a secondary high-limit sensor will shut the system off if the water temperature in the heater housing reaches 118 degrees F. In this case the spa may be restarted, by pushing any panel pad, after the water has cooled to 110 degrees F. If the switch trips repeatedly, do not use the spa. Contact your retailer for service.

**FL:** Flashing: 1. The filter may be plugged. 2. The spa water level may be too low. 3. A shut-off valve may be closed. 4. A pressure switch may have malfunctioned. Contact your service person.

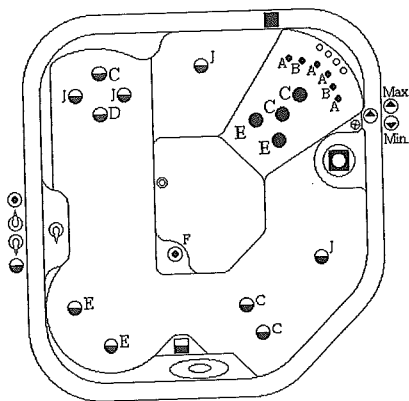
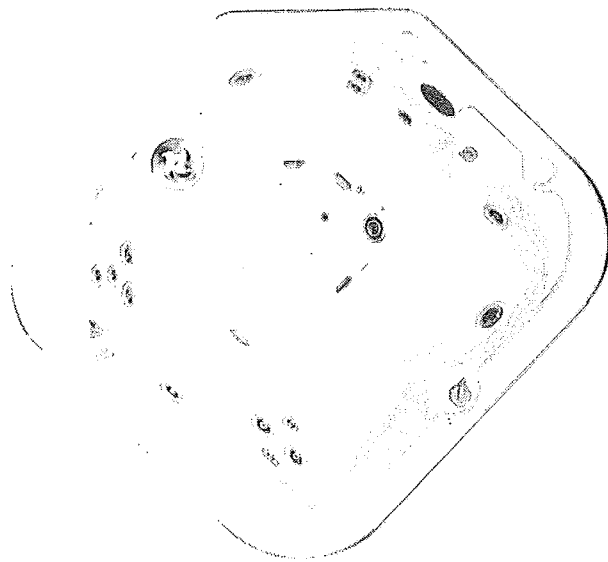
**SN:** If either the heater high-limit sensor or the water temperature sensor malfunctions, the spa will turn off. Contact your service person.

**CL:** This will appear every thirty days as a reminder to clean the water filter(s).

**CH:** This will appear every ninety days as a reminder to drain and refill the spa.

# COASTAL SERIES

# THE QUEST CS



- Hi-Flo Vortex Filter
- Auxiliary Filter
- Operator Panel
- Auxiliary Jet Control
- Jet Zone Selector Valve
- Jet Zone
- Air Control
- Ozone Jet
- Neck Jet Selector Valve
- Cascade Neck Jet
- Micro Boost Jet
- Micro Swirl Jet
- Power Boost Jet
- Power Swirl
- Cyclo Swirl Jet
- Geyser Jet
- Cyclo Boost Jet

### Model Description:

The **Quest** features a Bi-directional Body Form Lounge and deep bucket seat with Cascade Neck Jet System. A Geyser jet provides a stimulating leg and foot massage.

### Physical Specifications:

Dimensions:	84" x 78" x 34"H
Seating:	5 Positions
Weight Dry:	600 lbs.
Weight Wet:	2,435 lbs.
Water capacity:	220 gallons.

### Jetting Configuration:

Jet description	Qty
Geyser	1
Micro Boost	4
Micro Swirl	2
Power Boost	5
Power Swirl	1
Cyclo Boost	4
Cyclo Swirl	4
Cascade Neck Jets	4
<b>Total therapy jets</b>	<b>25</b>

### Hydraulic Specifications:

#### Operating Component:

Primary pump zone HI SPD:	85 GPM at 12 PSI
Primary pump zone LOW SPD:	42 GPM at 6 PSI
Auxiliary pump zone HI SPD:	102 GPM at 14.5 PSI
Auxiliary pump zone LOW SPD:	51 GPM at 6.5 PSI
Geyser Jet:	142 GPM at 12 PSI
Micro Jets:	6.5 GPM at 12 PSI
Power Jets:	10.5 GPM at 14.5 PSI
Cyclo Jets:	11 GPM at 14.5 PSI
Cascade Neck Jets:	8.0 GPM at 13 PSI

### Equipment Configuration:

#### Custom Therapy System

- \* Primary jet pump: 5.8 amps at 240V, 2 speed
- \* Auxiliary jet pump: 6.9 amps at 240V, 2 speed
- \* Primary filter size: 50 sq. ft.
- \* Heater: HI flow 4.3kw, stainless housing.

### Filtration System Turnover Rate:

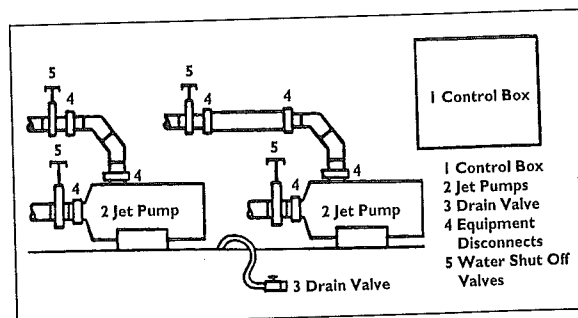
Primary filter:	92 times daily
<b>Total Turnover Rate:</b>	<b>92 times daily</b>

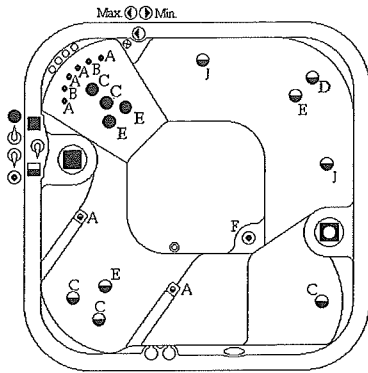
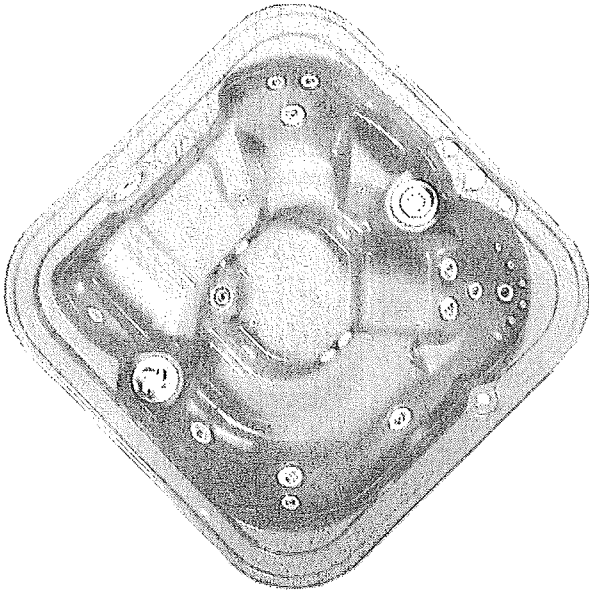
### Solid State Controls








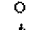
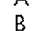

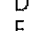
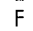





- \* System: 240V solid state control
- \* Bather Panel: Temperature readout
- \* Ozonator (optional): Ozone ready

### Insulation

- \* Insulation: 1/2 lb. foam fill. 'R' value of 54
- With Polysheet bottom seal





-  Hi-Flo Vortex Filter
-  Auxiliary Filter
-  Operator Panel
-  Auxiliary Jet Control
-  Jet Zone Selector Valve
-  Jet Zone
-  Air Control
-  Ozone Jet
-  Neck Jet Selector Valve
-  Cascade Neck Jet
-  Micro Boost Jet
-  Micro Swirl Jet
-  Power Boost Jet
-  Power Swirl
-  Cyclo Swirl Jet
-  Geyser Jet
-  Cyclo Boost Jet

### Model Description:

The **Destiny** features wrap-around bench seating. A deep bucket seat with the Cascade Neck Jet system provides a soothing massage.

### Physical Specifications:

Dimensions:	84" x 84" x 36.5"H
Seating:	6 Positions
Weight Dry:	660 lbs.
Weight Wet:	3,162 lbs.
Water capacity:	300 gallons

### Jetting Configuration:

<u>Jet description</u>	<u>Qty</u>
Geyser	1
Micro Boost	6
Micro Swirl	2
Power Boost	5
Power Swirl	1
Cyclo Boost	2
Cyclo Swirl	4
Cascade Neck jets	4
<b>Total Therapy jets</b>	<b>25</b>

### Hydraulic Specifications:

<u>Operating Component:</u>	
Primary pump zone HI SPD:	85 GPM at 12 PSI
Primary pump zone LOW SPD:	42 GPM at 6 PSI
Auxiliary pump zone HI SPD:	130 GPM at 16 PSI
Auxiliary pump zone LOW SPD:	65 GPM at 6 PSI
Geyser Jets	142 GPM at 12 PSI
Micro Jets	6.5 GPM at 12 PSI
Power Jets	11.5 GPM at 16 PSI
Cyclo Jets	12 GPM at 16 PSI
Cascade Neck Jets	8.0 GPM at 14 PSI

### Equipment Configuration:

- Custom Therapy System
- \* Primary jet pump: 5.8 amps at 240V, 2 speed
- \* Auxiliary jet pump: 10.5 amps at 240V, 2 speed
- \* Primary filter size: 50 sq. ft.
- \* Auxiliary filter size: 50 sq. ft.
- \* Heater: HI flow 4.3kw, stainless housing

### Filtration System Turnover Rate:

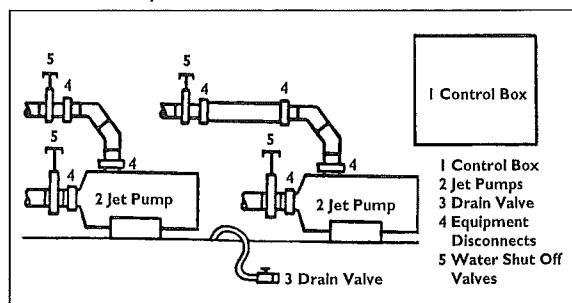
Primary Filter:	34 times daily
Auxiliary Filter:	34 times daily
<b>Total Turnover Rate:</b>	<b>68 times daily</b>

### Solid State Controls

System:	240V solid state control
Bather Panel:	Temperature readout
Ozonator (optional):	Ozone ready

### Insulation

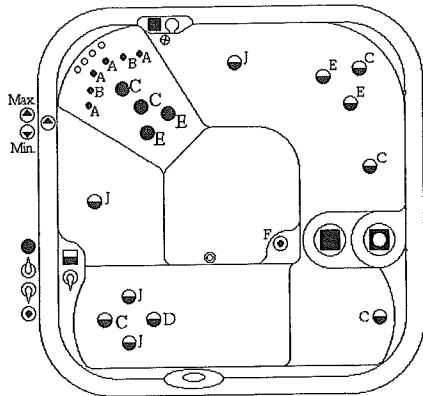
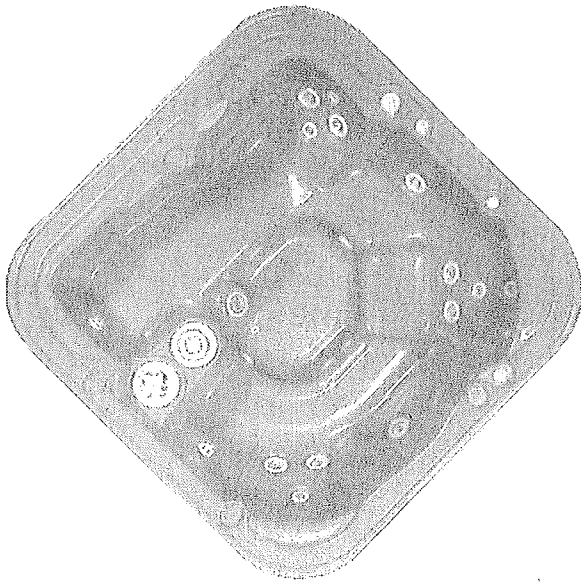
- \* Insulation: 1/2 lb. foam fill. 'R' value of 54
- With Polysheet bottom seal



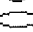





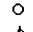
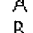
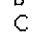
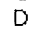
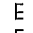
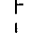
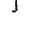






# COASTAL SERIES

# THE REWARD CS



-  Hi-Flo Vortex Filter
-  Auxiliary Filter
-  Operator Panel
-  Auxiliary Jet Control
-  Jet Zone Selector Valve
-  Jet Zone
-  Air Control
-  Ozone Jet
-  Neck Jet Selector Valve
-  Cascade Neck Jet
-  Micro Boost Jet
-  Micro Swirl Jet
-  Power Boost Jet
-  Power Swirl Jet
-  Cyclo Swirl Jet
-  Geyser Jet
-  Cyclo Boost Jet

### Model Description:

The **Reward CS** features four Therapy seats and a Full Body Form lounge. Cascade Neck Jets and a Geyser jet provide custom hydrotherapy.

### Physical Specifications:

Dimensions:	84.5" x 83.5" x 36.5"H
Seating:	6 Positions
Weight Dry:	690 lbs.
Weight Wet:	3,358 lbs.
Water capacity:	320 gallons

### Maximum Therapy System:

Jet description	Qty
Geyser	1
Micro Boost	4
Micro Swirl	2
Power Boost	6
Power Swirl	1
Cyclo Boost	4
Cyclo Swirl	4
Cascade Neck Jets	4
<b>Total Therapy Jets</b>	<b>26</b>

### Hydraulic Specifications:

#### Operating Component:

Primary zone HI SPD	85 GPM at 12 PSI
Primary zone LO SPD	42 GPM at 6 PSI
Aux. zone HI SPD	130 GPM at 16 PSI
Aux. zone LO SPD	65 GPM at 6 PSI
Geyser Jets	142 GPM at 12 PSI
Micro Jets	6.5 GPM at 12 PSI
Power Boost Jets	11.5 GPM at 16 PSI
Cyclo Jets	12 GPM at 16 PSI
Cascade Neck jets	8.0 GPM at 14 PSI

### Equipment Configuration:

#### Custom Therapy System

- \* Primary jet pump: 5.8 amps at 240V, 2 speed
- \* Auxiliary jet pump: 10.5 amps at 240V, 2 speed
- \* Primary filter size: 50 sq. ft.
- \* Auxiliary filter size: 50 sq. ft.
- \* Heater: HI flow 4.3kw, stainless steel housing

### Filtration System Turnover Rate:

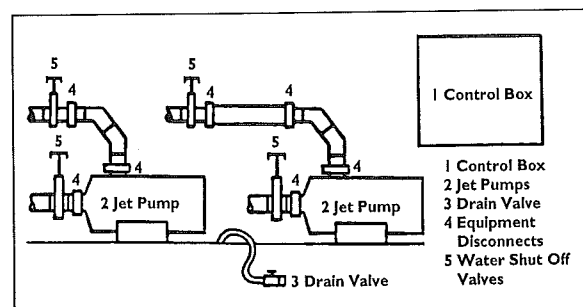
- \* Primary Filter: 32 times daily
- \* Auxiliary filter: 32 times daily
- Total Turnover rate: 64 times daily**

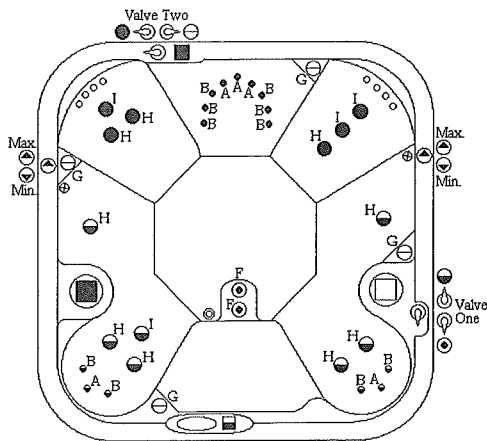
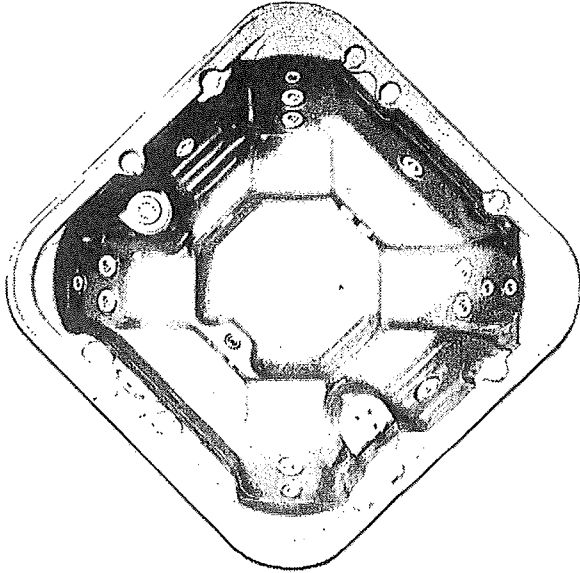
### Solid State Control:

System:	240V Solid State
Bather Panel:	Temperature Display
Auxiliary Panel:	Pump Control

### Insulation

- \* Insulation: 1/2 lb. foam fill. 'R' value of 54
- With Polysheet bottom seal





- Hi-Flo Vortex Filter
- Auxiliary Filter
- Operator Panel
- Auxiliary Jet Control
- Jet Zone Selector Valve
- Jet Zone
- Air Control
- Ozone Jet
- Neck Jet Selector Valve
- Cascade Neck Jet
- Micro Boost Jet
- Micro Swirl Jet
- Power Boost Jet
- Power Swirl
- Cyclo Swirl Jet
- Geyser Jet
- Cyclo Boost Jet

### Model Description:

The **Euphoria CS** features barrier-free seating with 4 Therapy seats and 4 Bench seats. 8 Cascade Neck jets and a Geyser create powerful hydrotherapy.

### Physical Specifications:

Dimensions:	89.5" x 89.5" x 36.5" H
Seating:	7 Positions
Weight Dry:	800 lbs.
Weight Wet:	4,303 lbs.
Water capacity:	420 gallons

### Custom Therapy System:

<u>Jet description</u>	<u>Qty</u>
Geyser	1
Micro Boost	4
Micro Swirl	2
Power Boost	4
Power Swirl	1
Cyclo Boost	6
Cyclo Swirl	4
<u>Cascade Neck Jets</u>	<u>8</u>
<b>Total Therapy Jets</b>	<b>30</b>

### Hydraulic specifications:

#### Operating Component:

Primary zone HI SPD	85 GPM at 12 PSI
Primary zone LO SPD	42 GPM at 6 PSI
Aux. zone HI SPD	130 GPM at 16 PSI
Aux. zone LO SPD	65 GPM at 6 PSI
Geyser Jets	142 GPM at 12 PSI
Micro Jets	6.5 GPM at 12 PSI
Power Boost Jets	11.5 GPM at 16 PSI
Cyclo Jets	12 GPM at 16 PSI
Cascade Neck jets	6.5 GPM at 10 PSI

### Equipment Configuration:

#### Custom Therapy System

- \* Primary jet pump: 5.8 amps at 240V, 2 speed
- \* Auxiliary jet pump: 10.5 amps at 240V, 2 speed
- \* Primary filter size: 50 sq. ft.
- \* Auxiliary filter size: 50 sq. ft.
- \* Heater: HI flow 4.3kw, stainless steel housing

### Filtration System Turnover Rate:

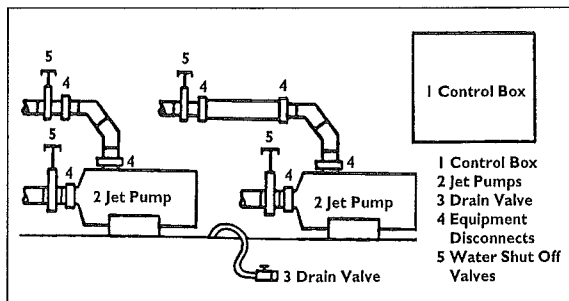
Primary Filter:	24 times daily
Auxiliary Filter:	24 times daily
<b>Total Turnover rate:</b>	<b>48 times daily</b>

### Solid State Control:

System:	240V Solid State
Bather Panel:	Temperature Display
Auxiliary Panel:	Pump Control

### Insulation

- \* Insulation: 1/2 lb. foam fill. 'R' value of 54
- With Polysheet bottom seal





## Quest CS, Destiny CS, Reward CS & Euphoria CS

### LIGHTS

The light button marked On/Off turns the interior and exterior lights on and off. The low-voltage system produces a night light for evening use and makes entering and exiting the spa safer. After being on for one hour, the lights will automatically turn off.

### LOW/HIGH THERAPY & POWER THERAPY SEAT

Pushing these pads turns the respective jet pump on to low-speed. Pushing the pad again turns the pump to high-speed. Pushing the pad again turns the pump off. After running on low-speed for fifteen minutes the pump will automatically turn off. After running on high-speed for ten minutes the pump will automatically switch to low-speed for five minutes and will then turn off. NOTE: There is also a small auxiliary jet pump control button at the back of the spa (right side on the Quest spa) which performs the same function.

### JET PUMP CLEANUP CYCLE

Your spa will automatically filter itself using the primary jet pump on low speed for three hours twice each day. (If you wish, it is possible to change this filter time to 1, 3, 6, or 9 hours. To do so, press the TEMP/FILTER button then the POWER THERAPY SEAT button. Then to change the run time, press the TEMP/FILTER button the POWER THERAPY SEAT button to exit. See LCD DISPLAY MESSAGES for clarification.) The first filter cycle will begin ten minutes after the spa is energized. The second filter cycle will begin twelve hours after the first cycle. The secondary jet pump will also turn on to HI speed for fifteen minutes twice a day to circulate the water in the plumbing lines.

### SMART CLEAN CIRCULATION

This feature ensures that the spa water will be properly filtered after each spa use. Thirty minutes after the spa light or jet pump has been deactivated, the low speed pump will filter the water for four hours.

### HEAT DEMAND OPERATION

In addition to those situations mentioned above, the pump will circulate on LOW speed whenever the thermostat calls for heat.

### HEATER THERMOSTAT

The LCD window displays the actual water temperature. Pushing the TEMP/FILTER button will make the numbers flash, then pushing the button again (repeatedly) will increase the set temperature one degree at a time, up to 104 degrees F.

After a short pause, the actual temperature will again be displayed. Repeating the above procedure will allow you to decrease the set temperature.

### HEAT LIGHT

The HEAT light will illuminate when the heater is on.

### LCD DISPLAY MESSAGES

The advanced technology built into the spa allows it to perform a number of self-diagnostic system checks and can display a variety of messages on the LCD panel as listed below.

When you scroll through the menu for filtration setting times you may see the following messages:

- F1:** 1-hour filtration, 2 times daily
- F3:** 3-hour filtration, 2 times daily
- F6:** 6-hour filtration, 2 times daily
- F9:** 9-hour filtration, 2 times daily

**OH:** Overheat protection: If a malfunction occurs and the spa water reaches 112 degrees F (44 degrees C), the system will completely shut down. In such a condition **DO NOT ENTER THE WATER.**

Turn off all power to the spa. Several conditions could lead to overheating, e.g., low water level, shut-off valves closed while heater is on, dirty filter, and restriction in the plumbing lines. The spa will not restart itself until the water temperature within the spa drops to a lower, predetermined temperature. As a double safety feature, a secondary high-limit sensor will shut the system off if the water temperature in the heater housing reaches 118 degrees F. In this case the spa may be restarted, by pushing any panel pad, after the water has cooled to 110 degrees F. If the switch trips repeatedly, do not use the spa, contact your retailer for service.

**FL:** 1. The filter may be plugged. 2. The spa water level may be too low. 3. A shut-off valve may be closed. 4. A pressure switch may have malfunctioned. Contact your service person.

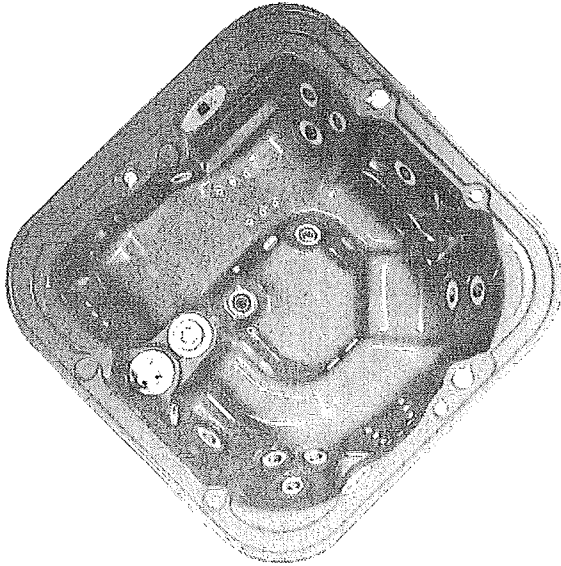
**SN:** If either the heater high-limit sensor or the water temperature sensor malfunctions, the spa will turn off. Contact your service person.

**CL:** This will appear every thirty days as a reminder to clean the water filter(s).

**CH:** This will appear every ninety days as a reminder to drain and refill the spa.

# MAXIMUM THERAPY SERIES

# THE REWARD MTS



### Model Description:

The Maximum Therapy Series **Reward** features four Therapy seats and a Full Body Form lounge. Cascade Neck Jets, four Whirlpool jet system, and Geyser jets.

### Physical Specifications:

Dimensions: 84.5" x 83.5" x 36.5"H  
 Seating: 6 Positions  
 Weight Dry: 690 lbs.  
 Weight Wet: 3,358 lbs.  
 Water capacity: 320 gallons

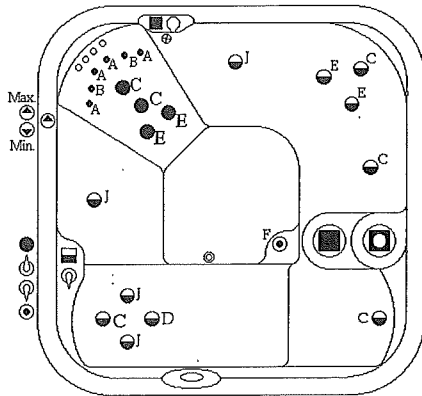
### Maximum Therapy System:

Jet description	Qty
Geyser	2
Micro Boost	6
Micro Swirl	12
Super Boost	8
Super Swirl	3
Cascade Neck jets	4
Whirlpool jets	4
<b>Total Therapy Jets</b>	<b>39</b>

### Hydraulic Specifications:

#### Operating Component:

Primary zone HI SPD	120 GPM at 8.0 PSI
Primary zone LO SPD	60 GPM at 5.9 PSI
Aux. zone HI SPD	166 GPM at 11.5 PSI
Aux. zone LO SPD	83 GPM at 4.5 PSI
Geyser Jets	81 GPM at 13.0 PSI
Micro Jets	6.0 GPM at 11.5 PSI
Super Jets	11.5 GPM at 11.5 PSI
Whirlpool Jets	45 GPM at 13.0 PSI
Cascade Neck Jets	8.0 GPM at 12.5 PSI



- Auxiliary Filter
- Operator Panel
- Auxiliary Jet Control
- Jet Zone Selector Valve
- Jet Zone
- Air Control
- Ozone Jet
- Neck Jet Selector Valve
- Cascade Neck Jet
- A Micro Boost Jet
- B Micro Swirl Jet
- F Geyser Jet
- G Whirlpool Jet
- H Super Boost Jet
- I Super Swirl Jet

### Equipment Configuration:

#### Power Plus Therapy System

- \* Primary jet pump: 6.9 amps at 240V, 2 speed
- \* Auxiliary jet pump: 10.5 amps at 240V, 2 speed
- \* Primary filter size: 50 sq. ft..
- \* Auxiliary filter size: 50 sq. ft.

#### Constant Clean Filtration System

- \* Circulation pump: 0.95 amps at 120V, 1 speed
- \* Heater: Low flow 4.3kw, stainless steel housing

### Filtration System Turnover Rate:

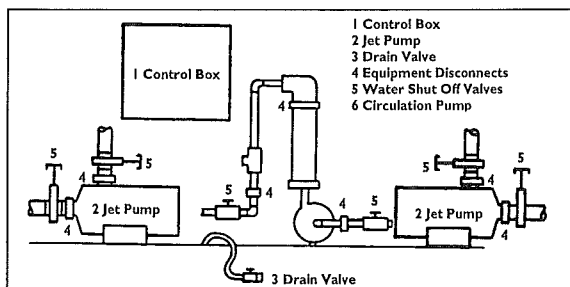
Primary Filter:	40.5 times daily
Auxiliary Filter:	7.3 times daily
Total Turnover rate:	47.8 times daily

### Solid State Control:

System: 240V Solid State  
 Bather Panel: Temperature Display  
 Auxiliary Panel:

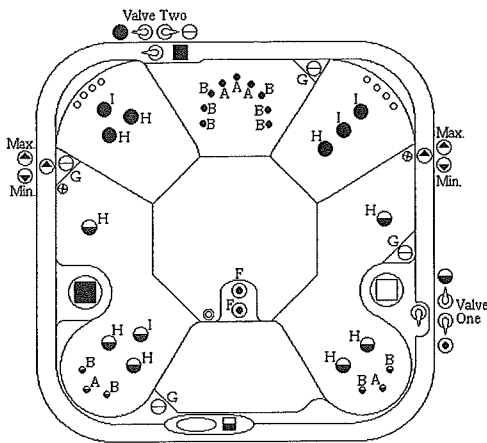
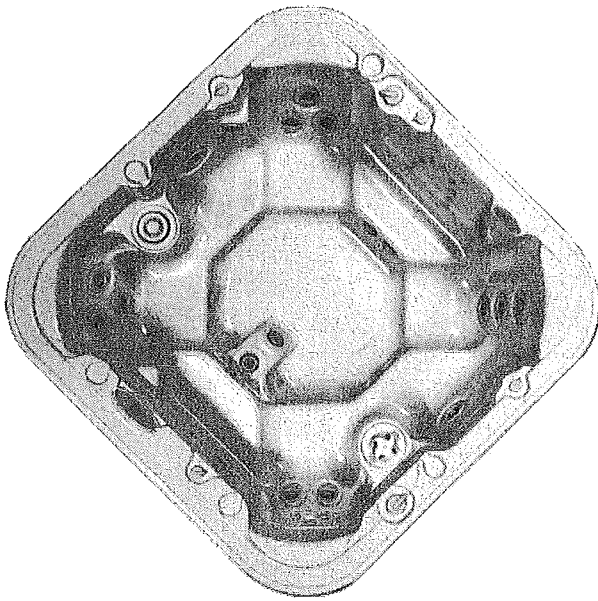
### Insulation

- \* Insulation: 1/2 lb. foam fill, 'R' value of 54
- With Polysheet bottom seal



# MAXIMUM THERAPY SERIES

# THE EUPHORIA MTS



- Auxiliary Filter
- Operator Panel
- Auxiliary Jet Control
- Jet Zone Selector Valve
- Jet Zone
- Air Control
- Ozone Jet
- Neck Jet Selector Valve
- Cascade Neck Jet
- A Micro Boost Jet
- B Micro Swirl Jet
- F Geyser Jet
- G Whirlpool Jet
- H Super Boost Jet
- I Super Swirl Jet

### Model Description:

The Maximum Therapy Series **Euphoria** features barrier-free seating with 4 Therapy seats and 4 Bench seats. Cascade Neck jets, Geyser jets and exclusive Whirlpool jets team up for maximum therapy.

### Physical Specifications:

Dimensions: 89.5" x 89.5" x 36.5" H  
 Seating: 7 Positions  
 Weight Dry: 800 lbs.  
 Weight Wet: 4,303 lbs.  
 Water capacity: 420 gallons

### Maximum Therapy System:

Jet description	Qty
Geyser	2
Micro Boost	5
Micro Swirl	10
Super Boost	9
Super Swirl	4
Cascade Neck Jets	8
Whirlpool Jets	4
<b>Total Therapy Jets</b>	<b>42</b>

### Hydraulic Specifications:

Operating Component:	
Primary zone HI SPD	158 GPM at 12.0 PSI
Primary zone LO SPD	79 GPM at 4.5 PSI
Aux. zone HI SPD	160 GPM at 11.5 PSI
Aux. zone LO SPD	80 GPM at 4.5 PSI
Geyser Jets	105 GPM at 12.0 PSI
Micro Jets	6 GPM at 11.5 PSI
Super Jets	11.5 GPM at 11.5 PSI
Whirlpool Jets	45 GPM at 13.0 PSI
Cascade Neck Jets	8.0 GPM at 12.5 PSI

### Equipment Configuration:

#### Maximum Therapy System

- \* Primary jet pump: 10.5 amps at 240V, 2 speed
- \* Auxiliary jet pump: 10.5 amps at 240V, 2 speed
- \* Primary filter size: 50 sq. ft.
- \* Auxiliary filter size: 50 sq. ft.

#### Constant Clean Filtration System

- \* Circulation pump: 0.95 amps at 120V, 1 speed
- \* Heater: Low flow 4.3kw, stainless steel housing

### Filtration System Turnover Rate:

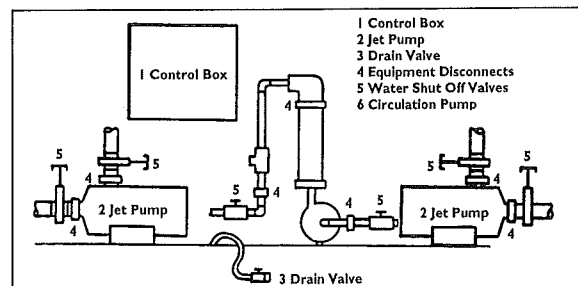
Primary Filter:	31 times daily
Auxiliary Filter:	7.5 times daily
<b>Total Turnover rate:</b>	<b>38.5 times daily</b>

### Solid State Control:

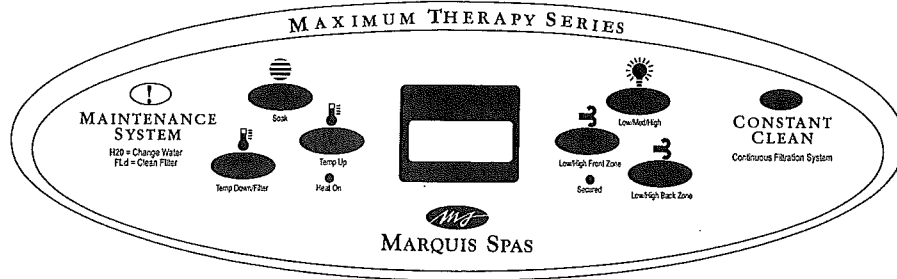
System: 240V Solid State  
 Bather Panel: Temperature Display  
 Auxiliary Panel: Pump Control

### Insulation

- \* Insulation: 1/2 lb. foam fill, 'R' value of 54.
- With Polysheet bottom seal



# MAXIMUM THERAPY SERIES CONTROLS



## Reward MTS & Euphoria MTS Spa Models

### LOW/HIGH FRONT ZONE & LOW/HIGH BACK ZONE

Pushing these pads turns the respective jet-pump on to low-speed. Pushing the pad again turns the pump to high-speed. Pushing the pad again turns the pump off. After running on low-speed for fifteen minutes the pump will automatically turn off. After running on high-speed for ten minutes the pump will automatically switch to low-speed for five minutes and will then turn off. NOTE: There is also a small, auxiliary jet-pump control button (two buttons on the Euphoria spa model) at the side of the spa that performs the same function.

### LIGHTS: LOW/MED/HIGH

Pushing the pad marked LOW/MED/HIGH once turns on the interior and exterior spa lights to high. Pushing the pad again turns the lights to medium. Three times, to low. Four times, to off. The lights will automatically turn off after one hour.

### HEATER THERMOSTAT

The LCD window displays the actual water temperature. Pushing the TEMP UP and TEMP DOWN pads will raise and lower the set temperature. Pushing these pads will temporarily change the LCD display to show the temperature you programmed the spa to maintain. Note: HEAT light will illuminate when heater is on.

### SOAK

Pushing the SOAK pad will turn off the operating jet pump(s) and lights for thirty minutes. These may be restarted at any time by pushing their respective pads.

### LOCK/SECURED

For security considerations it is possible to deactivate the panel functions. Pushing the TEMP UP pad and the SOAK pad consecutively (within two seconds of each other) will secure the panel and LOC will appear in the LCD window. Repeating this sequence will reactivate the panel.

### LCD DISPLAY MESSAGES

The advanced technology built into the spa allows it to perform a number of self-diagnostic system checks and may display some messages on the LCD panel as listed below.

When you scroll through the menu for filtration setting times you may see the following messages:

- F1:** 1-hour filtration, 2 times daily
- F3:** 3-hour filtration, 2 times daily
- F6:** 6-hour filtration, 2 times daily
- F9:** 9-hour filtration, 2 times daily
- FLC:** 12 hour-filtration, 2 times daily (Constant)

**OH:** Overheat protection: If a malfunction occurs and the spa water reaches 112 degrees F (44 degrees C), the system will completely shut down. In such a condition, **DO NOT ENTER THE WATER.** Turn off all power to the spa. Several conditions

could lead to overheating, e.g., low water level, shut-off valves closed while heater is on, dirty filter, and restriction in the plumbing lines. The spa will not restart itself until the water temperature within the spa drops to a lower, predetermined temperature. As a double safety feature a secondary high-limit sensor will shut the system off if the water temperature in the heater housing reaches 118 degrees F. In this case the spa may be restarted by pushing any panel pad, after the water has cooled to 110 degrees F. If the switch trips repeatedly, do not use the spa. Contact your retailer for service.

**FLO:** 1. Filter may be plugged. 2. Spa water level may be too low. 3. A shut-off valve may be closed. 4. A flow switch may have malfunctioned, contact your service person.

**ICE:** Freeze protection: A freeze condition is detected. This is a normal spa function. No corrective action is necessary. See FREEZE PROTECTION.

**Sn1:** The high-limit sensor has malfunctioned. The spa will turn off. Contact your service person.

**Sn3:** The water temperature sensor has malfunctioned. The spa will turn off. Contact your service person.

**FLd:** This will appear every thirty days as a reminder to clean the water filters. See REMOVING THE FILTER.

**H2O:** This will appear every ninety days as a reminder to drain and refill the spa. See DRAINING THE SPA and REFILLING.

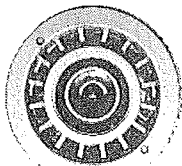
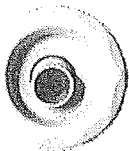
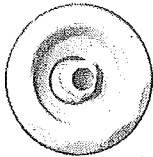
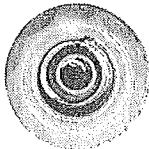
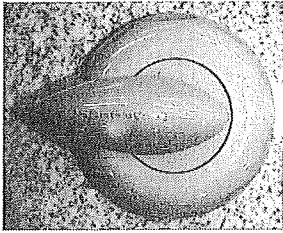
### JET-PUMP CLEANUP CYCLE

The jet-pumps will turn on for fifteen minutes twice a day, at 12-hour intervals, to circulate the water in the plumbing lines. The first fifteen-minute period begins ten minutes after the spa is energized.

### CONSTANT CLEAN FILTRATION SYSTEM

The small circulation pump in your spa is designed to run 24 hours a day to circulate and filter. (If you wish, it is possible to make the circulation pump run for 1, 3, 6, or 9 hours twice a day instead of 24 hours a day. To do this, press the TEMP DOWN/FILTER button then the LOW/HIGH FRONT ZONE button. Then to change the run-time, press the TEMP UP button then the LOW HIGH FRONT ZONE button to exit. See LCD DISPLAY MESSAGES for clarification.) The water heater, attached to the circulation pump, will cycle on and off according to the temperature called for by the control panel thermostat. The circulation pump draws its water through the Vortex filter and returns the water to the spa through small return jets. Care should be taken to never block these water-return openings, as this will cause water to remain in the heater and cause the high-limit sensor to turn the spa off.

# JETTING SYSTEMS



## CUSTOM THERAPY JETS

Found on Leisure, Recreational and Coastal Series spas.

### ➤ JET SELECTOR VALVE

The large, gray tear-drop Jet Selector knob allows you to redirect the water flow to different jet zones, see jetting diagram for specific options.

### ➤ CASCADE NECK JETS

Your spa may be equipped with a corner seat(s) featuring especially high Neck Jets. These jets are turned on and off (when the jet pump is on) using the small tear-drop Neck Jets knob on the spa lip to the side of the seat.

### ➤ MICRO BOOST JETS

Small directional jets are strategically located to compliment the larger jets. Simply moving the nozzle redirects the water for ideal massage.

### ➤ MICRO SWIRL JETS

Small rotating jets give a gentle massage in a medium size area.

### ➤ POWER BOOST JETS

The direction of water flow can be changed by repositioning the central nozzle. The water flow can be turned off by turning the jet face clockwise.

### ➤ POWER SWIRL JETS

Large, rotating jets provide a firm, broad area of circular massage action. Turn jet face clockwise to totally turn off water flow.

### ➤ CYCLO SWIRL JETS

This large, versatile jet can flow straight forward or can be made to rotate by pushing the nozzle to the side (push in the direction indicated by the point of its tear-drop shape). The water flow can be turned off by turning the jet face counterclockwise.

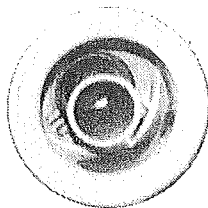
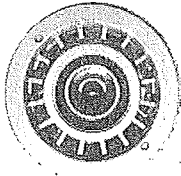
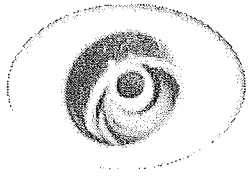
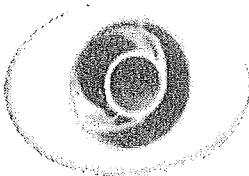
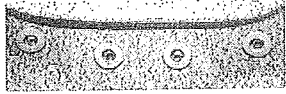
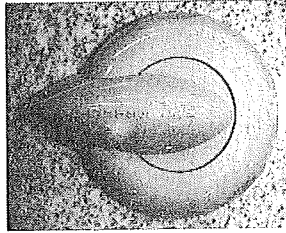
### ➤ CYCLO BOOST JETS

This large, versatile jet flows in a straight forward stream. The water flow can be turned off by turning the jet face counterclockwise.

### ➤ GEYSER JETS

This high-flow jet is perfect for foot and leg massage.

# JETTING SYSTEMS



## MAXIMUM THERAPY JETS

Found on Maximum Therapy Series spas.

### ➤ JET SELECTOR VALVE

The large, gray tear-drop Jet Selector knob allows you to redirect the water flow to different jet zones, see jetting diagram for specific options.

### ➤ CASCADE NECK JETS

Your spa is equipped with a corner seat(s) featuring especially high Neck Jets. These jets are turned on and off (when the jet pump is on) using the small tear-drop Neck Jets knob on the spa lip to the side of the seat.

### ➤ MICRO BOOST JETS

Small directional jets are strategically located to compliment the larger jets. Simply moving the nozzle redirects the water for ideal massage.

### ➤ MICRO SWIRL JETS

Small rotating jets give a gentle massage in a medium size area.

### ➤ SUPER BOOST JETS

Large, directional jets provide a super broad area of massage. Simply twist the central nozzle to redirect the powerful flow of massaging action.

### ➤ SUPER SWIRL JETS

Large, rotating jets provide a super broad area of massage. Simply tilt the nozzle to either side to change the direction of rotation. The speed of rotation can be altered by turning the nozzle. For a straight flow, aim the nozzle straight forward.

### ➤ GEYSER JETS

The spa is equipped with Geysers Jets. These high-flow jets are perfect for foot and leg massage.

### ➤ WHIRLPOOL JETS

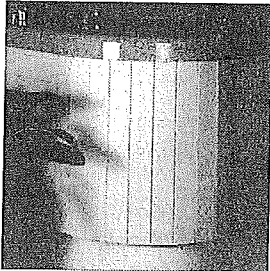
Unique Whirlpool jets are strategically positioned around the perimeter of the spa to produce a true whirlpool flow of water. This soothing action provides a whole body, passive massage.



# REGULAR MAINTENANCE

## WOOD EXTERIOR

Your spa's wood exterior (if so equipped) has been treated with a sealant at the factory. It is suggested that the exterior be treated twice a year with an additional coat of sealant for maximum weather protection. You should contact your spa retailer for advice on which sealants work best in your environment.



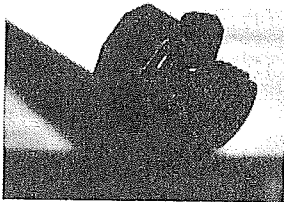
## DURAWOOD EXTERIOR

- > This low maintenance exterior material is featured as an option on Coastal Series and Maximum Therapy Series spas. Wipe down DuraWood exterior with a soft sponge or cloth and mild, non-abrasive cleaner. Isopropyl alcohol may be used on stubborn marks. **DO NOT USE ACETONE** as it may damage the surface.

## DRAINING THE SPA

It is recommended that you completely drain your spa at least four times a year. More frequent draining may be required depending on use. Unless this is done regularly, the water becomes chemically "saturated" and will no longer respond to regular chemical upkeep. The spa should also be drained before long periods of disuse. An empty spa should be covered, direct sunlight on the spa surface can cause severe damage or blemishing and can result in the voiding of any surface warranties. To drain the spa for cleaning or servicing, complete the following steps:

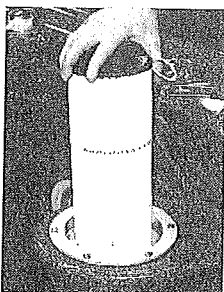
- A. Adjust the thermostat all the way down.
- B. Turn off the power to the spa.
- > C. Attach a garden hose to the hose bib in the equipment area.
- D. Open the hose bib by turning the lever counter clockwise. Gravity will cause the water to drain out of the hose.
- E. When the spa is empty, close the hose bib and remove the hose.



## CLEANING THE SPA

Should the water line become soiled, it can be cleaned with a soft sponge or cloth. Do not use any abrasive cleaners as they can scratch or dull the spa surface.

Your Energy Cover can be cleaned with a non-abrasive household cleaner on both top and bottom sides. A good quality NON-SILICONE based vinyl restorer will help protect the surface from the sun's rays.



## REMOVING THE FILTER

Refer to the Spa Maintenance Schedule for cleaning frequency and instructions. Follow these instructions whenever performing routine maintenance.

### Hi-Flo Vortex Filtration: (Smart Clean Systems)

- A. Push down and twist the Hi-Flo Vortex skimmer/catch basket counter clockwise and lift out.
- > B. Lift out the filter cartridge. Note the position of the filter. The end with the hole faces **DOWN**.

## REGULAR MAINTENANCE CONTINUED

### Auxiliary Filtration:

- A. Push down and twist the Auxiliary cover/catch basket counter clockwise and lift out.
- B. Lift out the filter cartridge. Note that the end with the hole faces DOWN.

### Vortex Filtration: (Constant Clean Systems)

- A. Push down and twist the Vortex skimmer/catch basket counter clockwise and lift out.
- B. Lift out the filter cartridge. Note the position of the filter. The end with the hole faces DOWN.
- C. You will notice a tall plastic prefilter in the bottom of the canister. This prefilter is screwed into a black basket. By slowly pulling up on the lateral filter (and basket) you will trap and remove any floating debris. Lift the basket completely out of the spa, using the inside finger tabs if necessary near the top of the canister. This prefilter and basket are important in preventing unfiltered debris from accumulating in the small circulation pump. It is necessary to always have all of these parts properly installed in this Vortex filter location whenever the spa is operating.

### REFILLING THE SPA

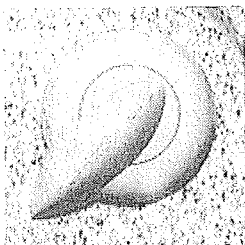
Fill your spa with fresh water from a garden hose and add the necessary chemicals. Remember, it is essential to shock sanitize the water after each refill before using your spa. Be sure to follow the same procedures as outline in STARTING YOUR SPA.

### LIGHT BULB REPLACEMENT

To replace a bulb for the Entryway or Underwater lighting, remove the equipment area door to find the light access. Remove the lamp socket from the back of the light assembly by turning and pulling at the same time. Gently pull the bulb out of the lamp socket and replace it with a 6 watt bulb only from your spa retailer. Install the lamp socket back into the light assembly and replace door.

### WINTERIZING YOUR SPA

Your spa was designed for year around use and many people find the combination of hot water, therapy jets and cool winter temperatures to be especially soothing. However, if you decide to discontinue the use of your spa for the winter, or for any other extended period of time, we suggest you follow the steps below. (NOTE: During long period of inactivity, damage can occur to equipment from condensation within the equipment.)



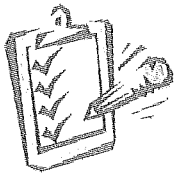
- A. Adjust the thermostat all the way down.
- B. Turn off the power to the spa.
- C. Drain the spa.
- D. Remove all residual water from the seating and footwell. If necessary, use a bucket to bail out the remaining water then dry the spa with towels. A wet/dry vacuum may also be used.
- E. Close the air control valve (if so equipped).
- F. Using the wet/dry vacuum, place nozzle over each jet orifice to remove water from plumbing lines, starting with the highest jets

and finishing with the lowest jets. Note: If the spa is equipped with a Jet Selector valve, which is used to divert water between different jet zones, the valve must be "open" to the particular jets you are vacuuming. Open the air control valve (if so equipped) and repeat this step.

- G. Unscrew and disconnect plumbing lines at the heater and both the suctions and discharges of the pump(s).
- H. Again, using the wet/dry vacuum, place nozzle over the pump parts to remove excess water. For maximum winterizing protection, the pump(s) should be removed from the spa and stored in a climate controlled room.
- I. Wipe down the water line.
- J. Clean the filter cartridge(s).
- K. Reinstall the Energy Cover.

# MAINTENANCE SCHEDULE

---



## DAILY

- \* Replenish the water level by filling up to the middle of the Vortex or Hi-Flo Vortex (if so equipped) skimmer openings. Check and clean the catch basket.
- \* Check the water chemistry. Adjust if needed.
- \* Check the sanitizer level and adjust if needed.

## WEEKLY

- \* Wipe down the water line.
- \* Remove the filter cartridge(s) and rinse thoroughly with a hose and high pressure nozzle.

## MONTHLY

- \* Soak the filter cartridge(s) in a solution of TSP (tri-sodium phosphate). Rinse thoroughly in clean water.
- \* Clean the spa Energy Cover.

## EVERY THREE MONTHS

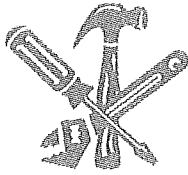
- \* Drain the spa and completely refill with water and replenish the chemicals.
- \* While you have the equipment door open, check for signs of water leakage around the pump(s). Pump seals can wear out over time, especially with improper water chemistry. Early detection of pump seal failure can significantly reduce repair costs.
- \* While the spa is drained, the interior can be sponged with a spa cleaner and rinsed. NOTE: Do not wax the surface as the wax will dissolve into the water and clog the filter.

## EVERY SIX MONTHS

- \* Treat the wood exterior (if so equipped) with sealant.

# TROUBLESHOOTING

---



**PLEASE NOTE:** The following corrective actions may be performed by the spa owner. If the trouble cannot be corrected in the steps below, please refer to your spa retailer for service. (Improper servicing by an unauthorized serviceman or spa owner could result in damage that will not be covered by the warranty and could cause serious injury.)

## EQUIPMENT WILL NOT OPERATE

- \* Check the control panel LCD display code.
- \* 240V Spas: Check the circuit breaker on the main circuit panel.
- \* 120V Spas: Check the GFCI power cord and reset if necessary (see Important Safety Instruction #11 at beginning of manual).
- \* Check the condition of the power cord.

## JET-PUMP DOES NOT WORK

- \* Push the pump buttons on the spa side controls.
- \* Be sure the shut-off valves are completely open.
- \* Check for obstructions or restrictions at the suction, such as leaves, etc.

## INADEQUATE JET ACTION

- \* Be sure the shut-off valves are completely open.
- \* Check that the air control valve (if so equipped) is open.

## LCD DISPLAY MESSAGES

Depending on which spa model you have, the technology allows it to perform a number of self-diagnostic system checks and may display some of the messages on the LCD panel as listed below. (See Control pages.)

**OH:** Overheat protection; If a malfunction occurs and the spa water reaches 112 degrees F (44 degrees C), the system will completely shut down. In such a condition, **DO NOT ENTER THE WATER.** Turn off all power to the spa. Several conditions could lead to overheating, e.g., low water level, shut-off valves closed while heater is on, dirty filter, and restriction in the plumbing lines. The spa will not restart itself until the water temperature within the spa drops to a lower, predetermined temperature. As a double safety feature a secondary high-limit sensor will shut the system off if the water temperature in the heater housing reaches 118 degrees F. In this case the spa may be restarted by pushing any panel pad after the water has cooled to 110 degrees F. If the switch trips repeatedly, do not use the spa, contact your retailer for service.

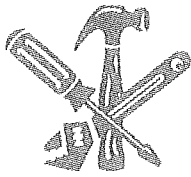
**FLO:** Flashing: 1. The filter may be plugged. 2. The spa water level may be too low. 3. A shut-off valve may be closed. 4. A flow switch may have malfunctioned, contact your serviceman.

**ICE:** Freeze protection: A freeze condition is detected. This is a normal spa function. No corrective action is necessary. See **FREEZE PROTECTION.**

**Sn1:** The high-limit sensor has malfunctioned. The spa will turn off.

# TROUBLESHOOTING

---



Contact your service person.

**Sn3:** The water temperature sensor has malfunctioned. The spa will turn off. Contact your service person.

**FLd:** This will appear every thirty days as a reminder to clean the water filters. See REMOVING THE FILTER.

**H2O:** This will appear every ninety days as a reminder to drain and refill the spa. See DRAINING THE SPA and REFILLING.

**FL:** Flashing: 1. The filter may be plugged. 2. The spa water level may be too low. 3. A shut-off valve may be closed. 4. A pressure switch may have malfunctioned. Contact your service person.

**SN:** If either the heater high-limit sensor or the water temperature sensor malfunctions, the spa will turn off. Contact your service person.

**CL:** This will appear every thirty days as a reminder to clean the water filter(s).

**CH:** This will appear every ninety days as a reminder to drain and refill the spa

## NO HEAT

\* Notice if the thermostat is set to the desired position.

**NOTE:** Do not expect instant hot water from the jets. It will take the heater several hours to heat the spa to the temperature you desire.

\* Check for obstructions or restrictions at the suction.

\* Inspect the filter cartridge(s) for dirt and debris.

\* Check that the water is at proper level, middle of the Vortex or HI-Flo Vortex skimmer openings.

\* Prolonged use of the jets will have a significant cooling effect on the water. Turn off the jet action to allow the heater to raise the spa temperature.

## LIGHT DOES NOT WORK

\* Push the light button on the spa side controls.

\* Tighten the light bulb in the socket. (See page 32)

\* Replace the light bulb (6 watt only).

## WATER IS CLOUDY

\* Check the water chemistry and balance as needed.

\* Clean or replace the filter cartridge(s).



# SERIAL NUMBER LOCATION

On your spa, the serial number is engraved directly above the filter canister area. On those models that are listed by Underwriters Laboratories, you will also find the serial number on the tag in the equipment area.

**PLEASE FILL OUT AND RETAIN FOR FUTURE REFERENCE**

\_\_\_\_\_  
Name of Purchaser

\_\_\_\_\_  
Date of Purchase

\_\_\_\_\_  
Address

\_\_\_\_\_  
City

\_\_\_\_\_  
State

\_\_\_\_\_  
Zip Code

\_\_\_\_\_  
Signature

\_\_\_\_\_  
Telephone

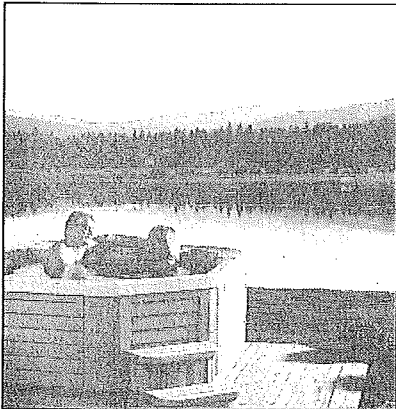
\_\_\_\_\_  
Spa Model / Color

\_\_\_\_\_  
Spa Serial #

\_\_\_\_\_  
Pack Serial #

\_\_\_\_\_  
Retailer's Name

\_\_\_\_\_  
Retailer's Address



We sincerely hope your spa life is a pleasant experience. If problems should arise, contact your Marquis Spas retailer. You may also contact Marquis Corp. by using one of the methods listed below.

Happy soaking!



**MARQUIS SPAS**

[www.marquisspas.com](http://www.marquisspas.com)

MARQUIS CORP.

596 Hoffman Road

Independence, OR 97351

503.838.0888

1.800.275.0888

MS-289 Printed 6/98



## **Personal service is as close as your Marquis Dealer**

To help assure your happiness, Marquis Spas has hand-selected your authorized Dealer and offered training in sales and service. The Dealer is there to answer any questions or concerns you may have about your spa and to help you get familiar with it and perform service work, if necessary, as the years go by.

Visit your Marquis Dealer for exclusive spa accessories and water maintenance products to enhance your spa experience.



**MARQUIS SPAS**

[www.marquisspas.com](http://www.marquisspas.com)

MARQUIS CORP.

596 Hoffman Road

Independence, Oregon 97351

800-275-0888

